

# ENGINE HEATER

## INSTALLATION INSTRUCTIONS

***PRIUS***

Model year: 2003

Vehicle Code: NHW20L-AHEEBW

Partnumber

Engine Heater PZ434-G0790-3Z

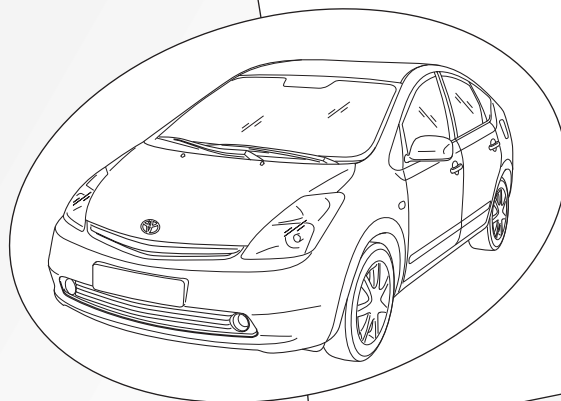


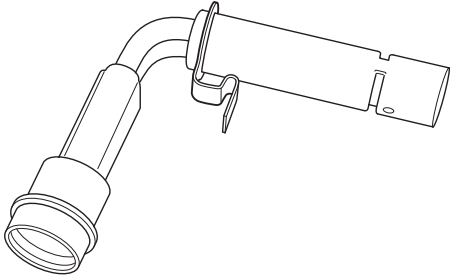
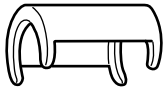
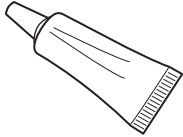
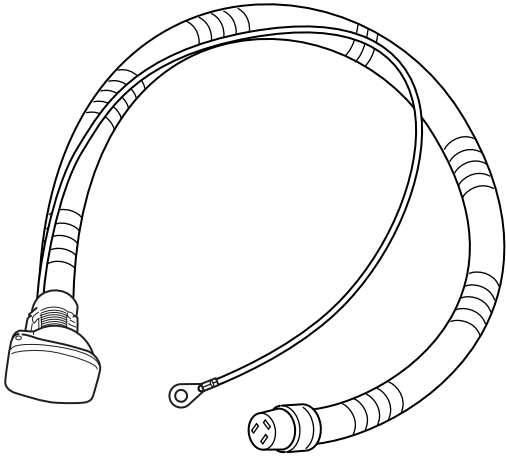
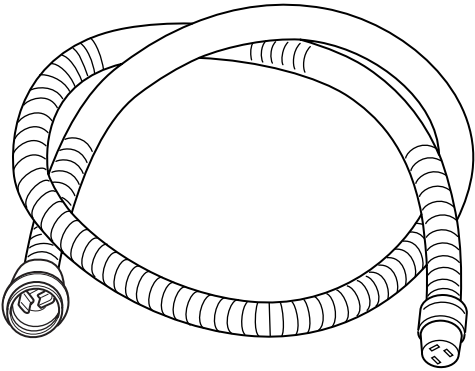
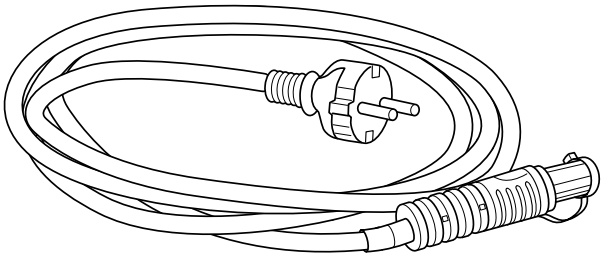
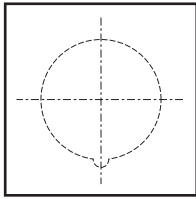
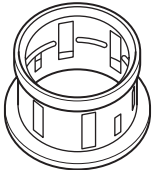
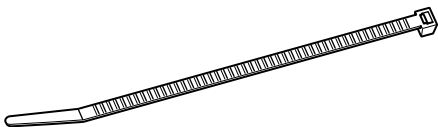

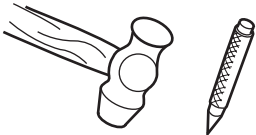

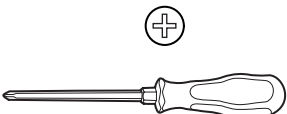
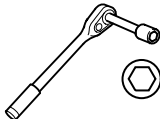
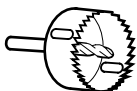
1,1 kg

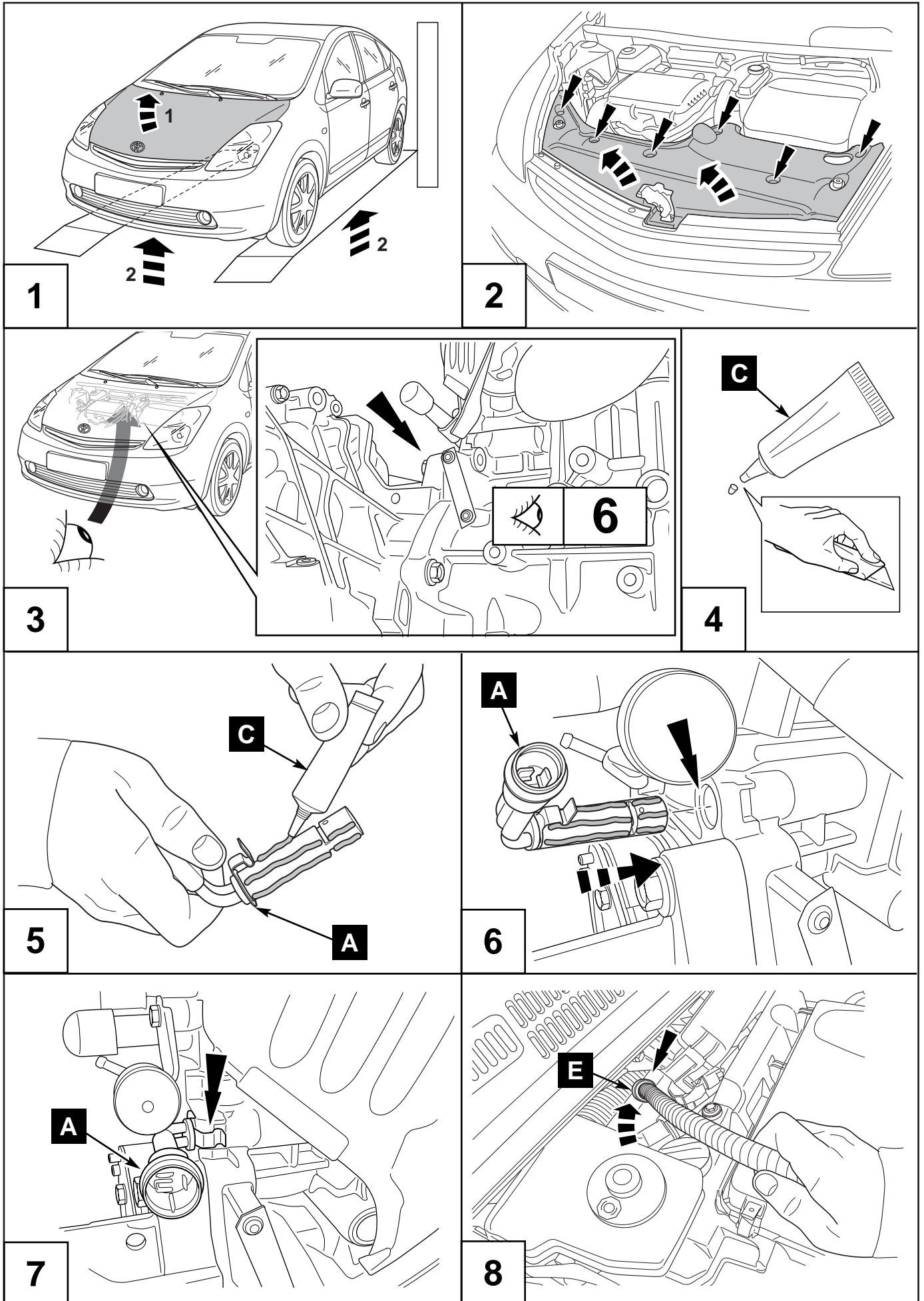


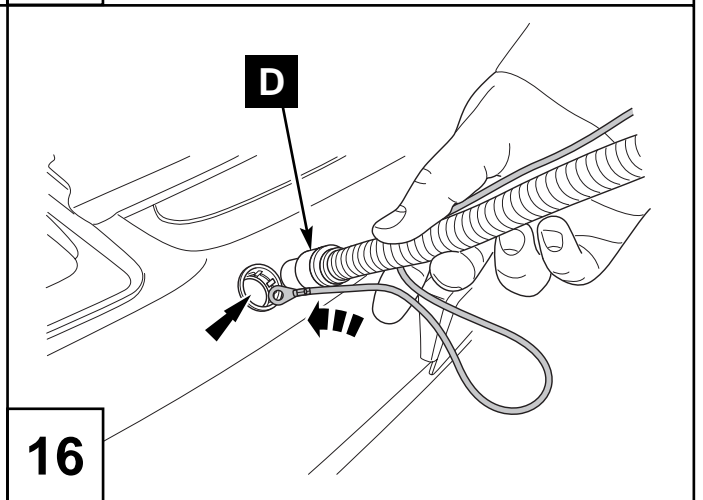
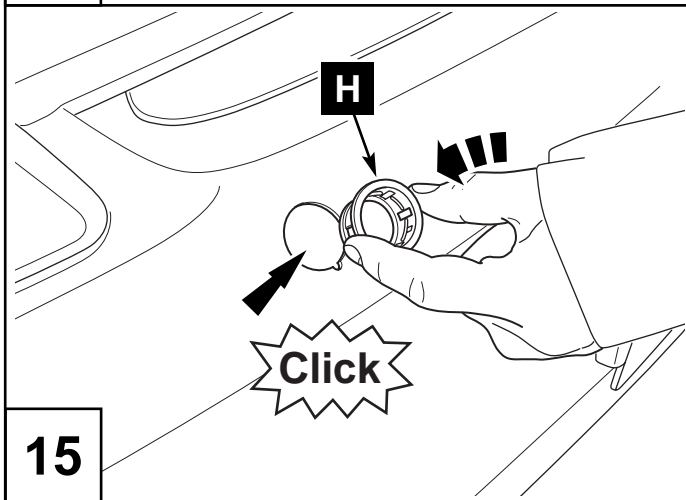
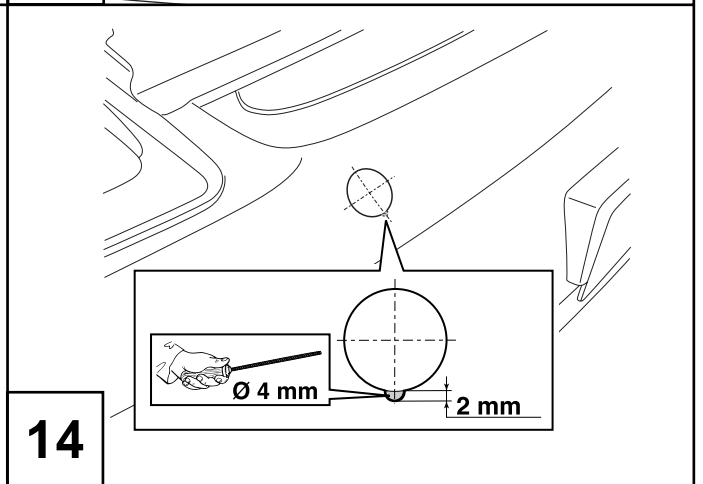
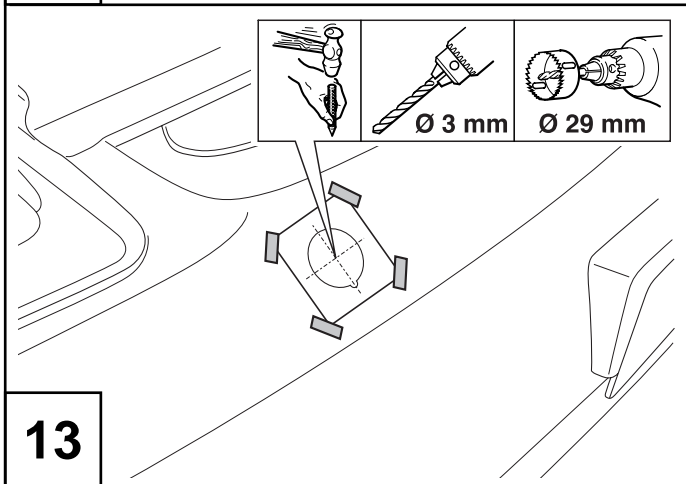
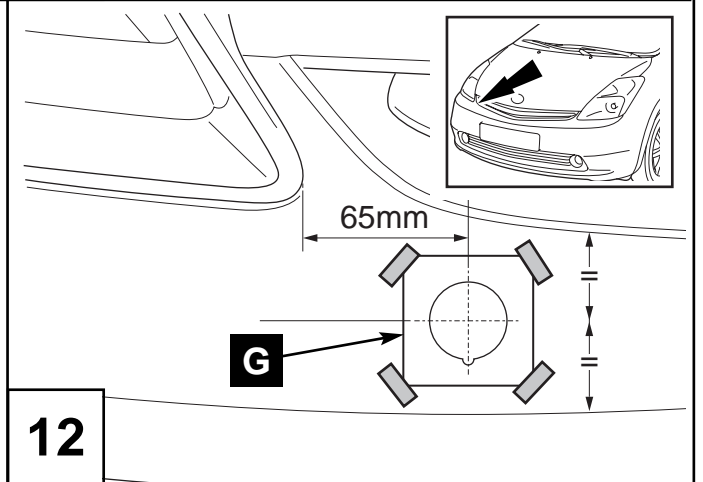
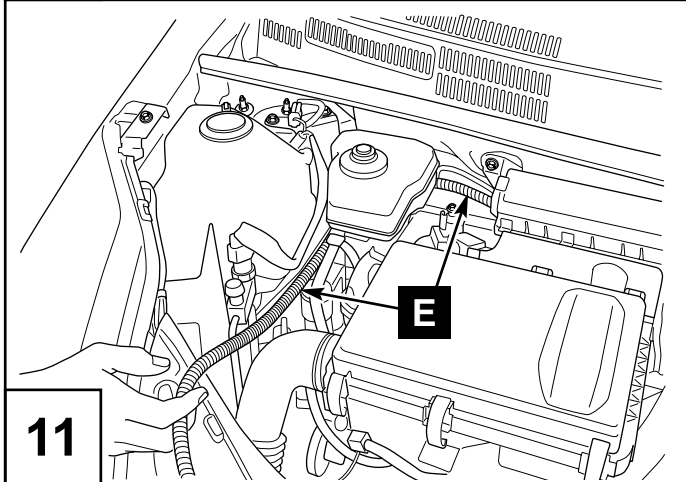
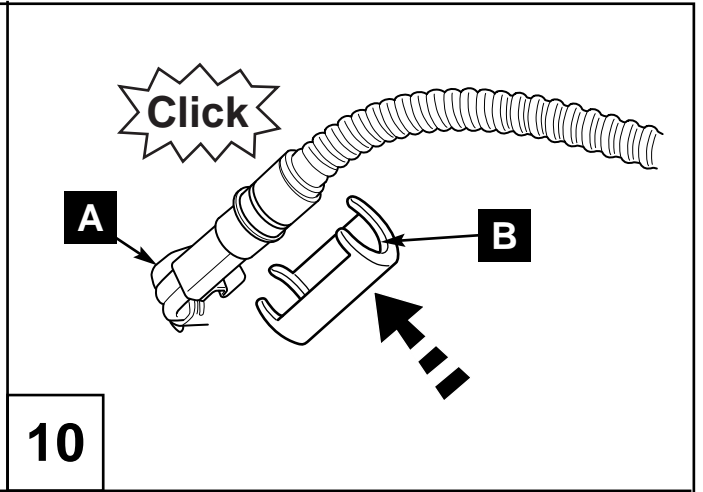
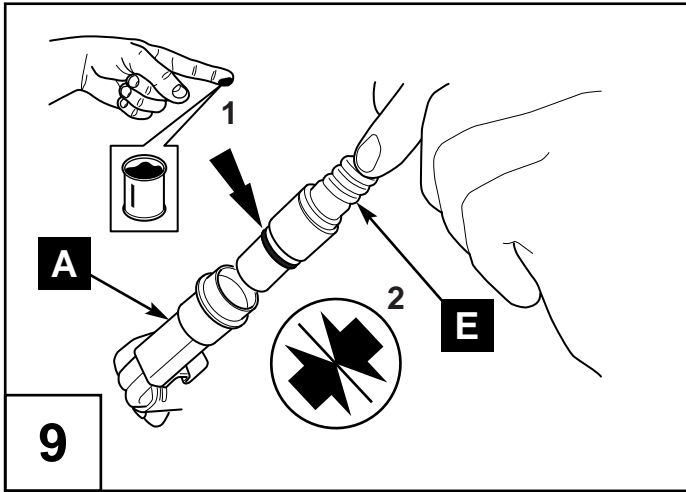
0,5 h

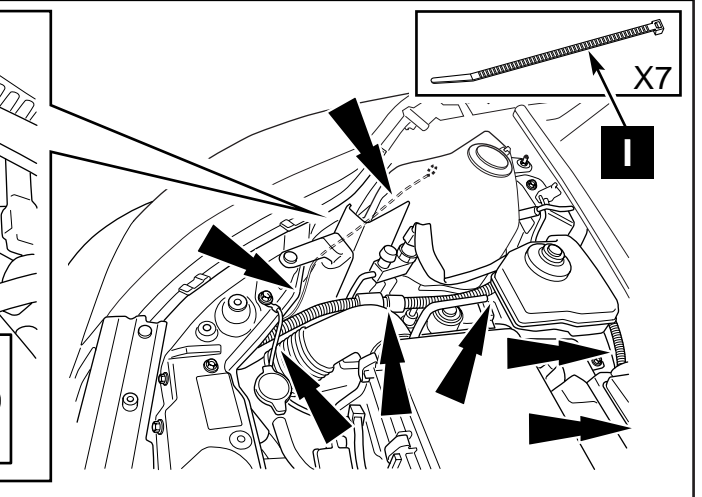
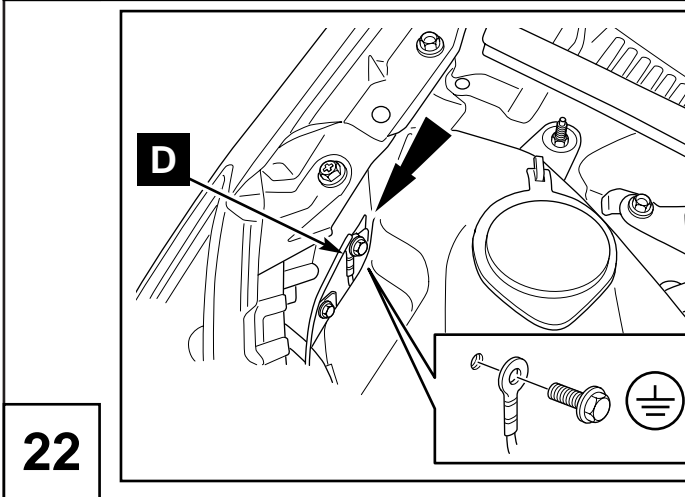
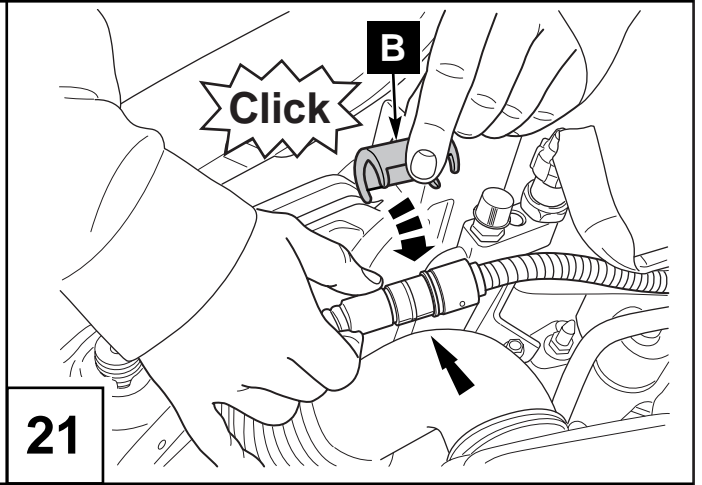
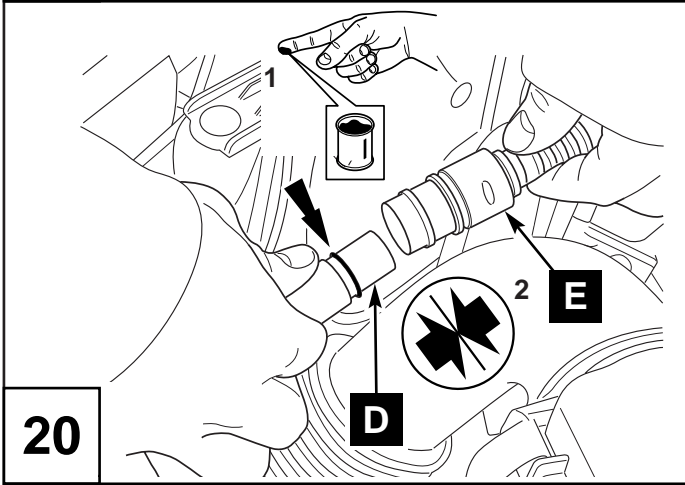
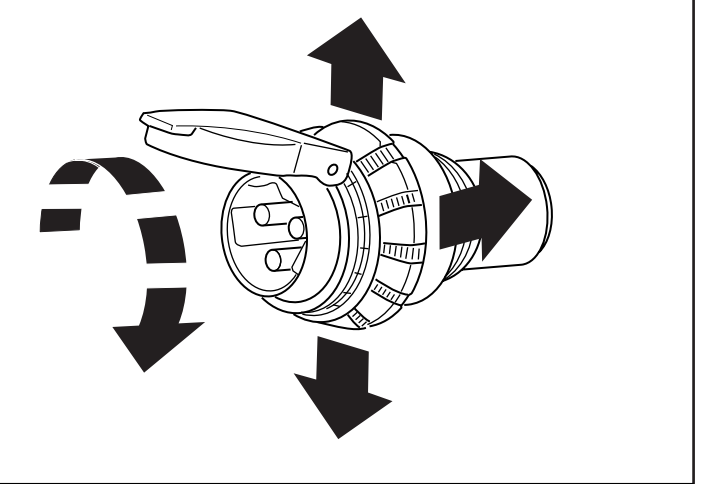
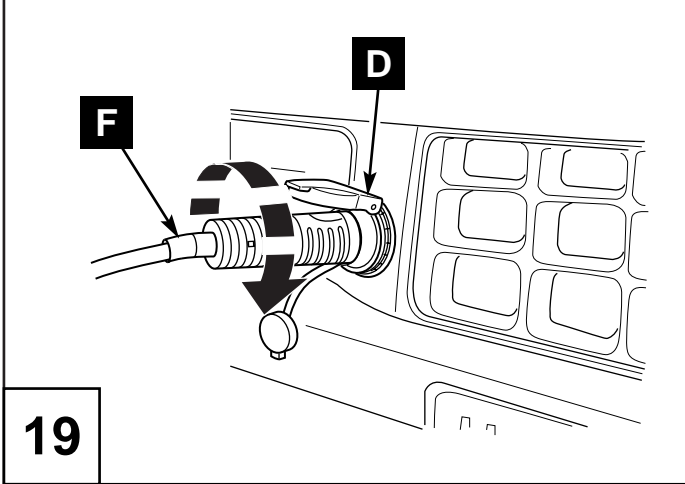
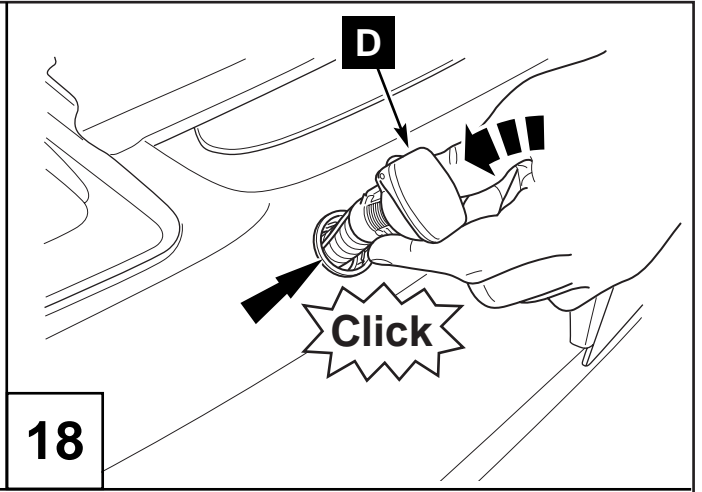
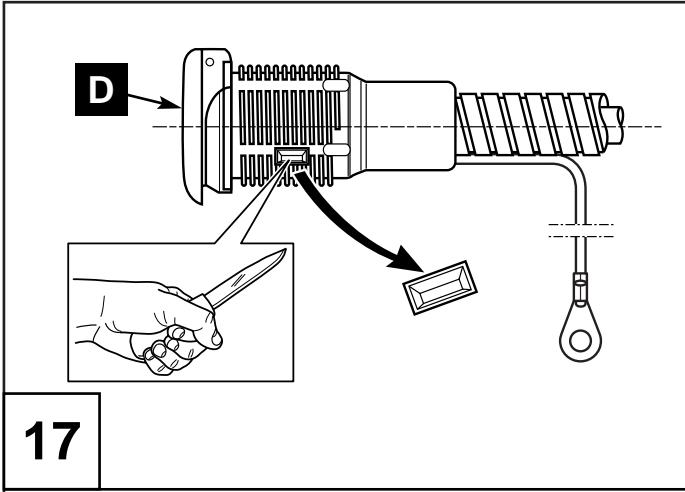
**LHD**

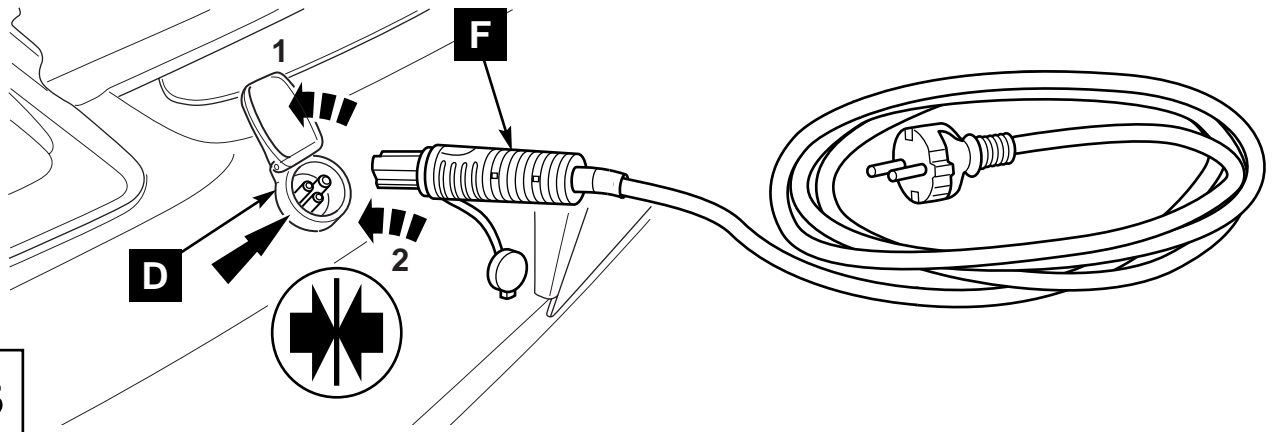


<p><b>A</b></p>  <p>1x</p>	<p><b>B</b></p>  <p>2x</p>	<p><b>C</b></p>  <p>1x</p>
<p><b>D</b></p>  <p>1x</p>	<p><b>E</b></p>  <p>1x</p>	
<p><b>F</b></p>  <p>1x</p>	<p><b>G</b></p>  <p>1x</p>	<p><b>H</b></p>  <p>1x</p>
<p><b>I</b></p>  <p>7x</p>		
		 <p>Ø 3 mm</p>
		 <p>Ø 29 mm</p>









23