




IQ

Lowering Springs

Installation instructions

Model year: 01/2009

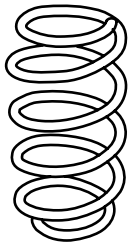
Vehicle code:	KGJ10*-BG**GW	NUJ10*-BG**WW
Part number:	PZ494-I0721-00	PZ494-I0720-00

 Weight: 10.5 kg

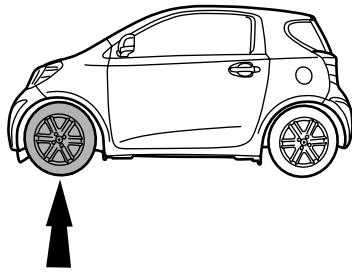
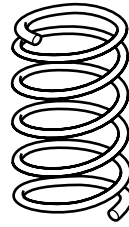
Manual reference number: AIM 001 470-0

Revision Record

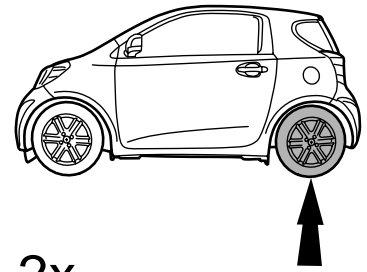
Rev.No	Date	Page	Picture	Update	New	Deleted Steps

A

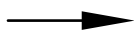
2x

**B**

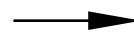
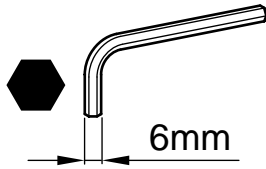
2x



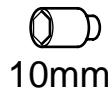
PZ494-I0721-01 (Petrol)
PZ494-I0720-01 (1,4 Diesel)

01**27**

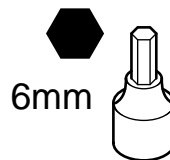
PZ494-I0720-02 (Petrol + Diesel)

28**33**

6mm

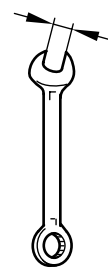


10mm

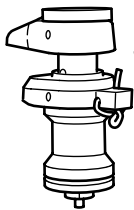
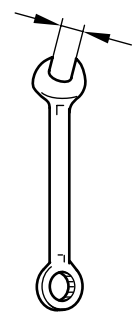


6mm

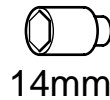
14mm



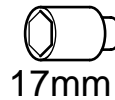
17mm



SST: 09628 - 00011



14mm



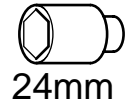
17mm



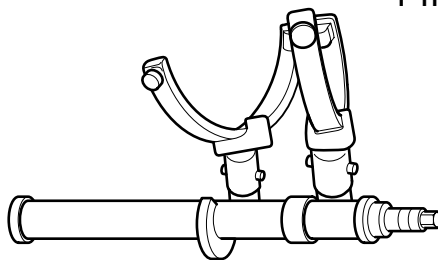
19mm



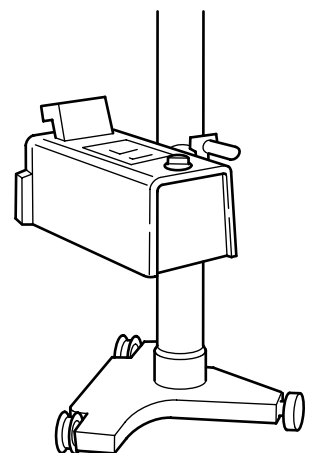
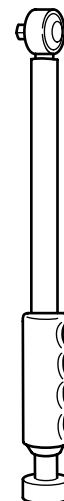
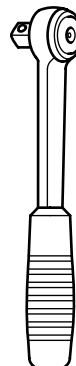
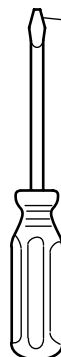
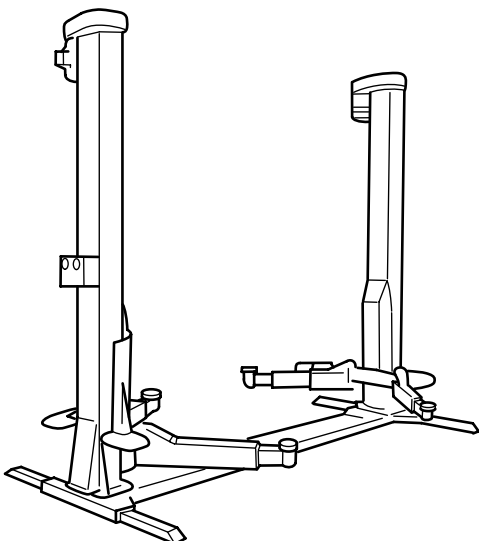
21mm

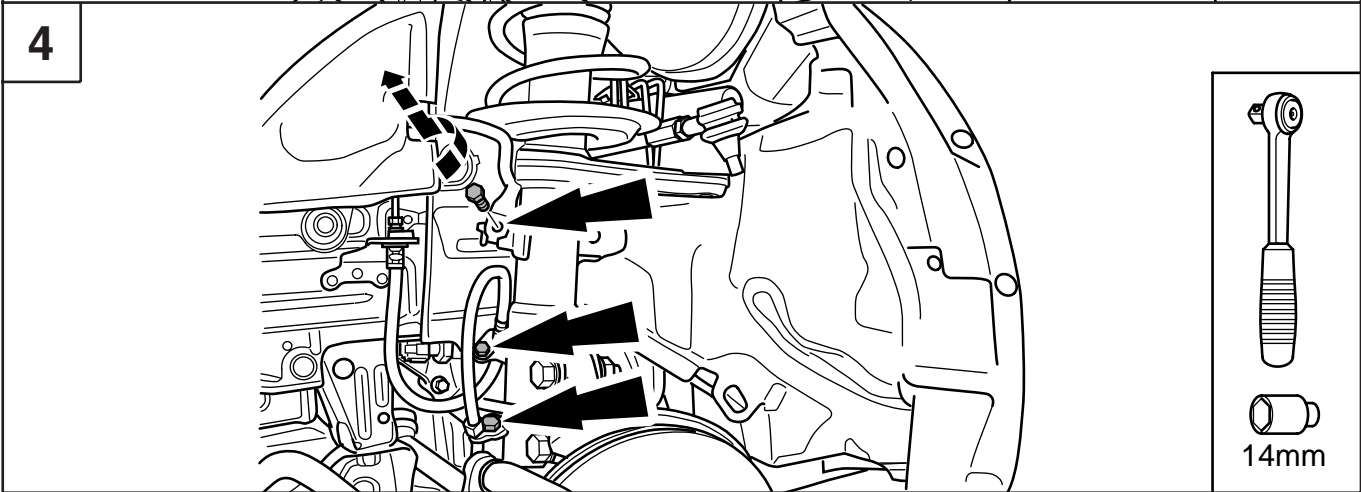
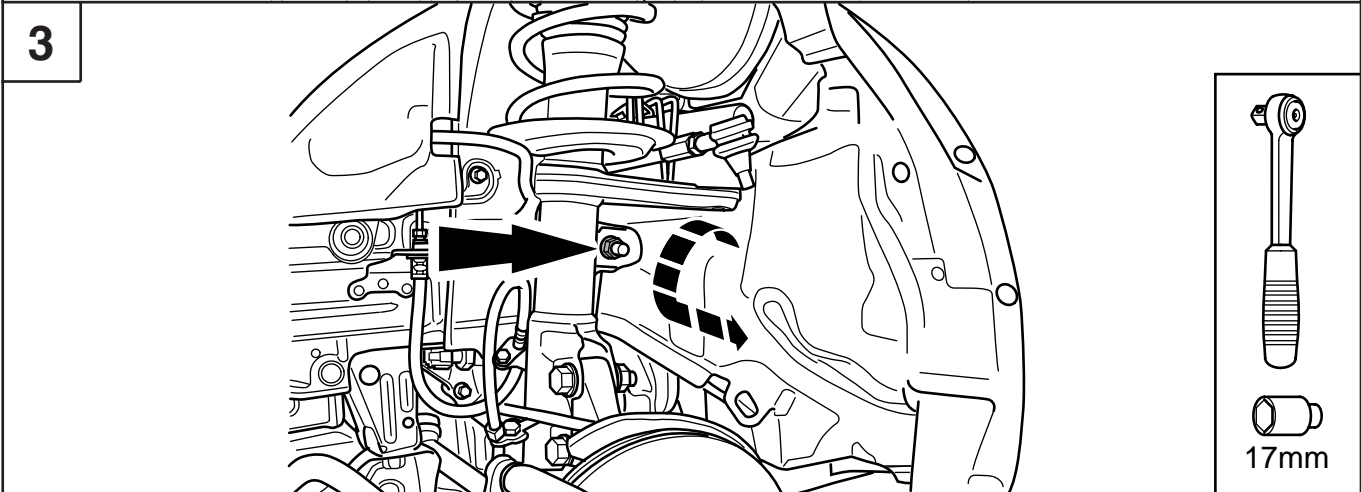
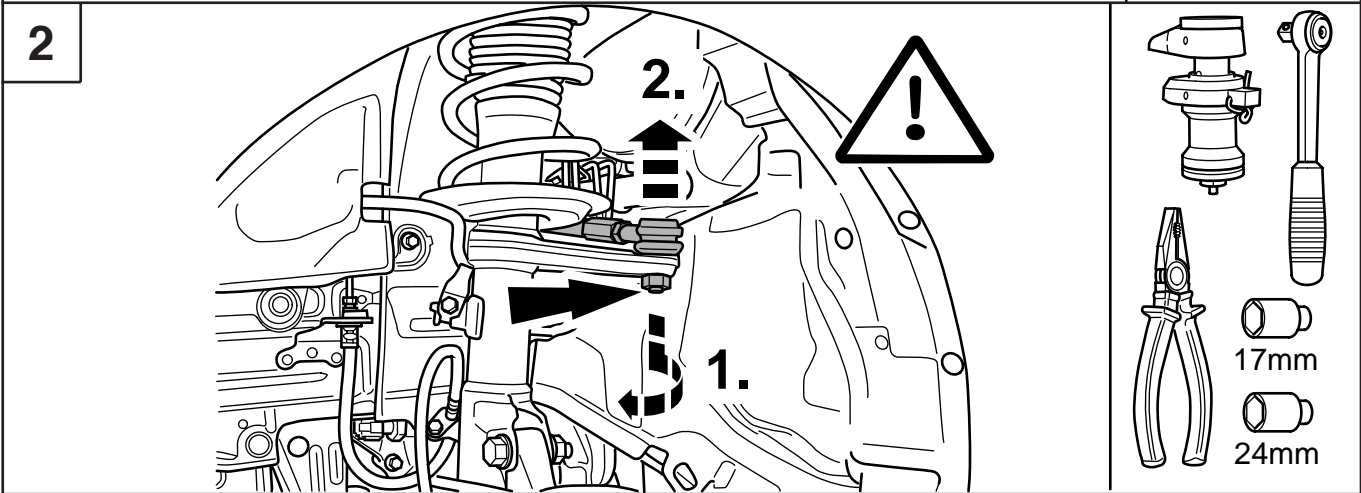
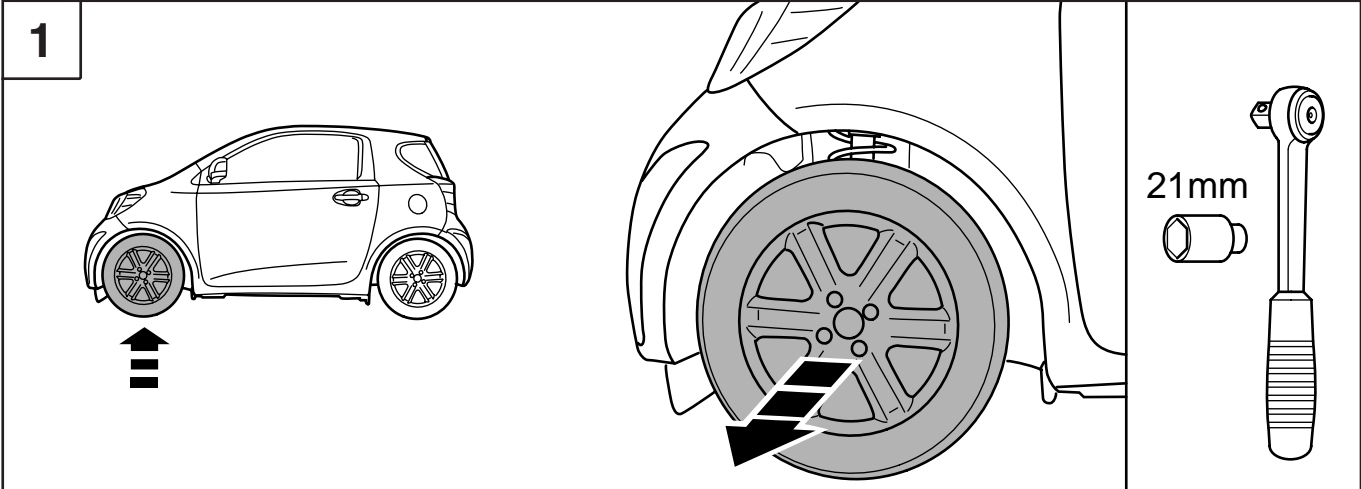


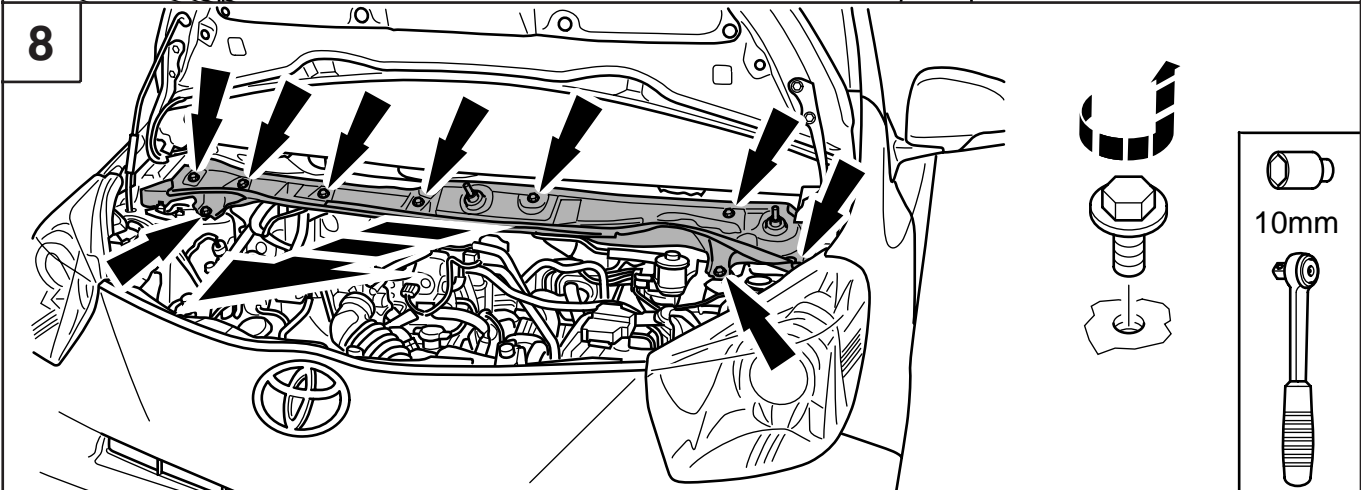
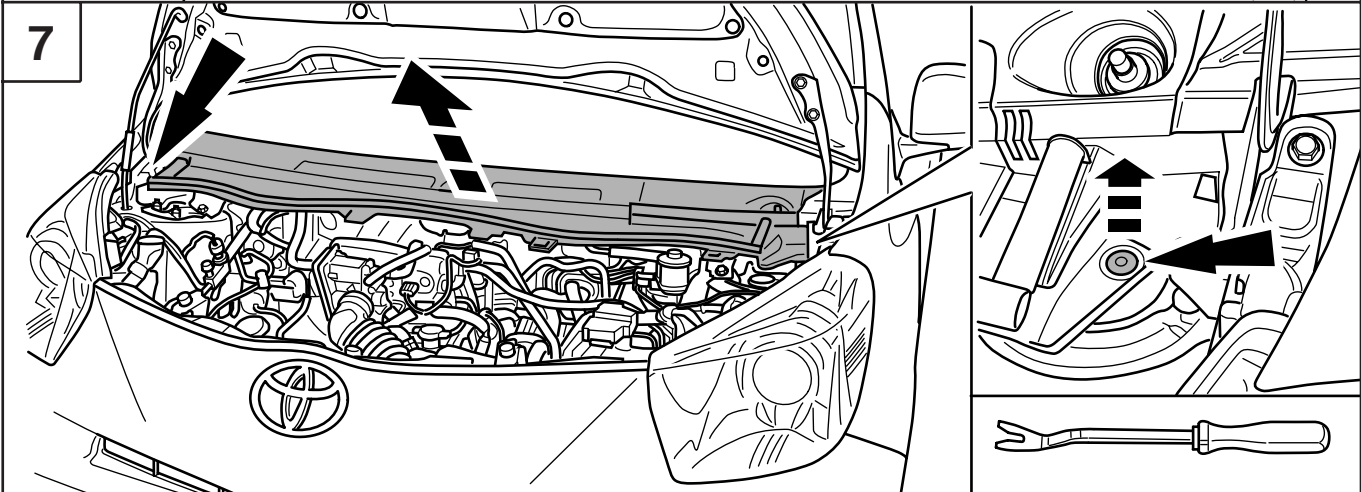
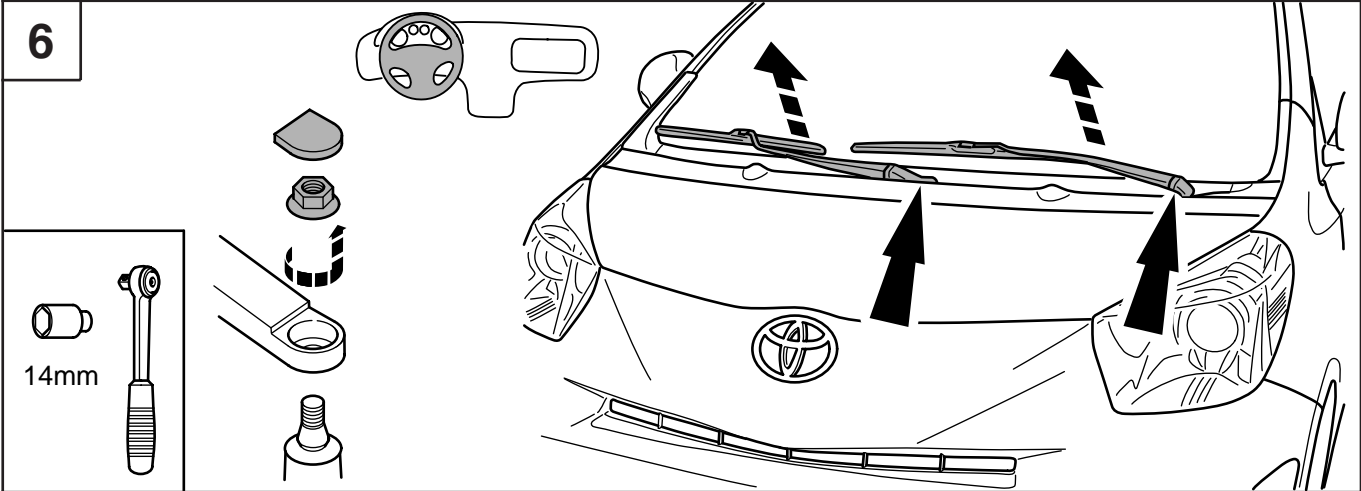
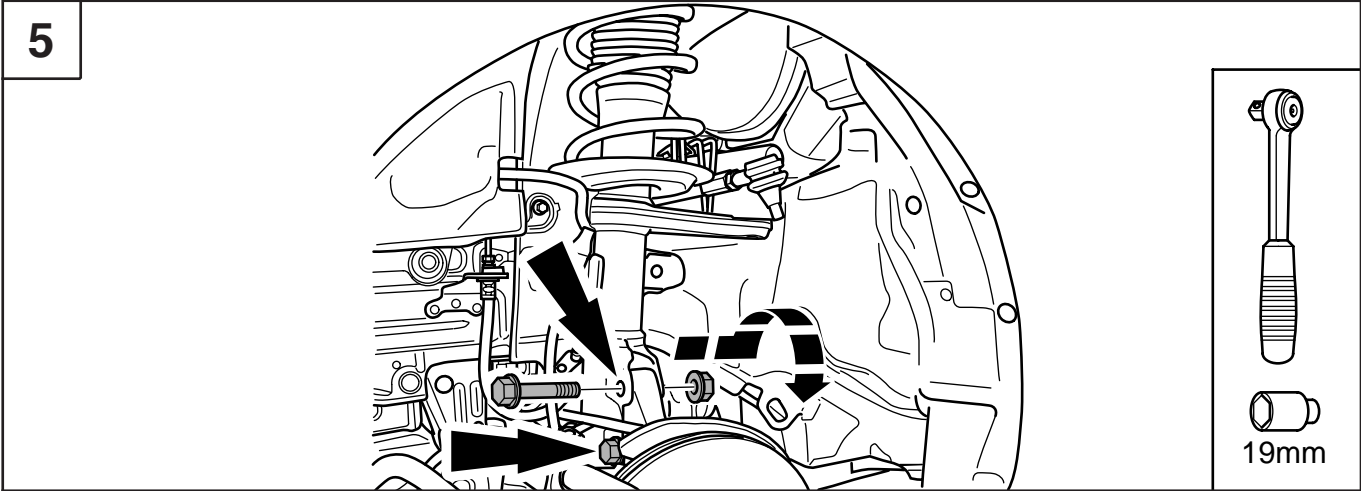
24mm



SST: 09729 - 30021

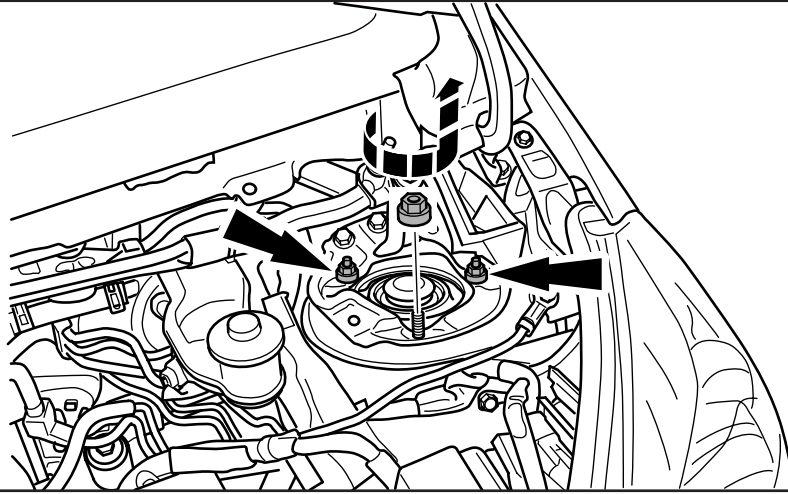
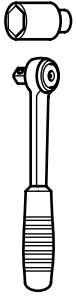




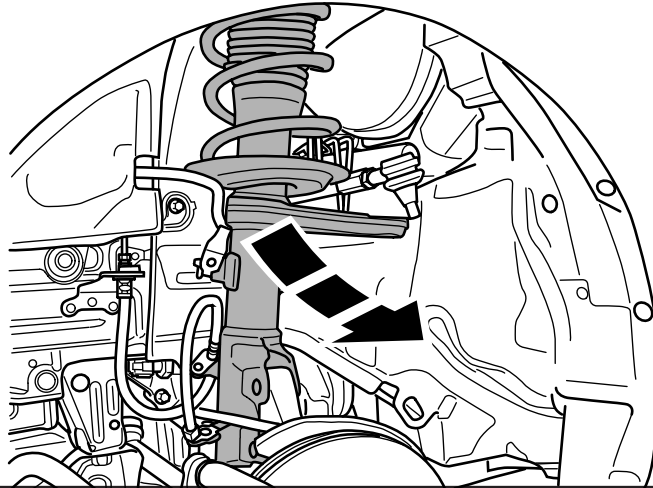


9

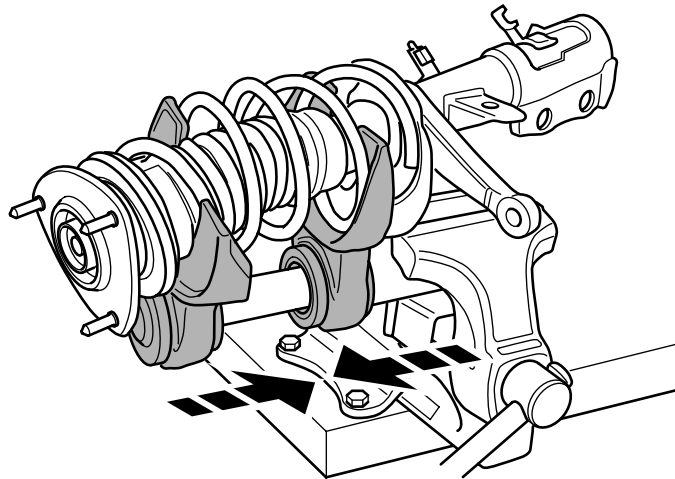
14mm



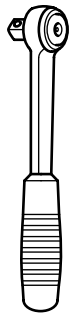
10



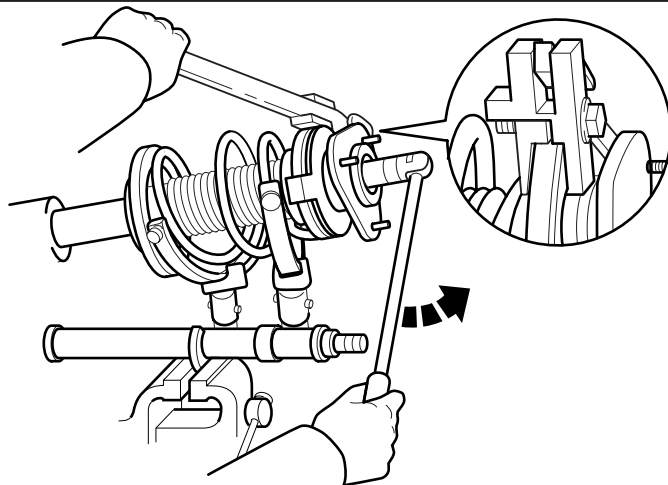
11



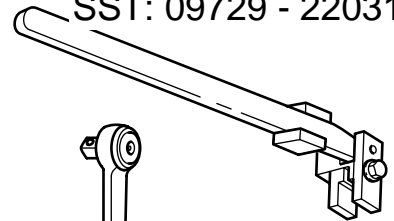
19mm



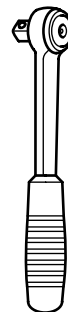
12



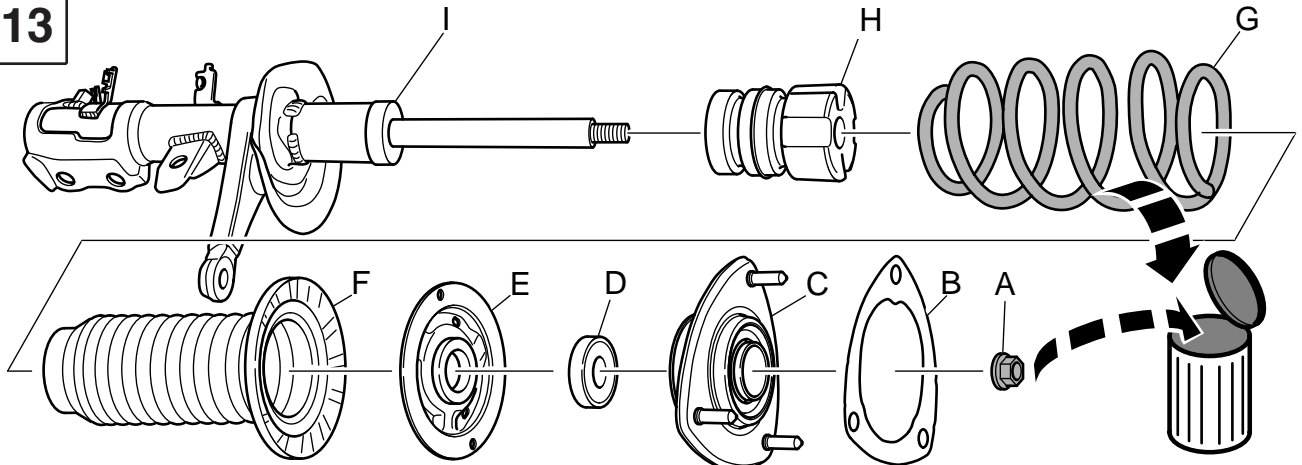
SST: 09729 - 22031



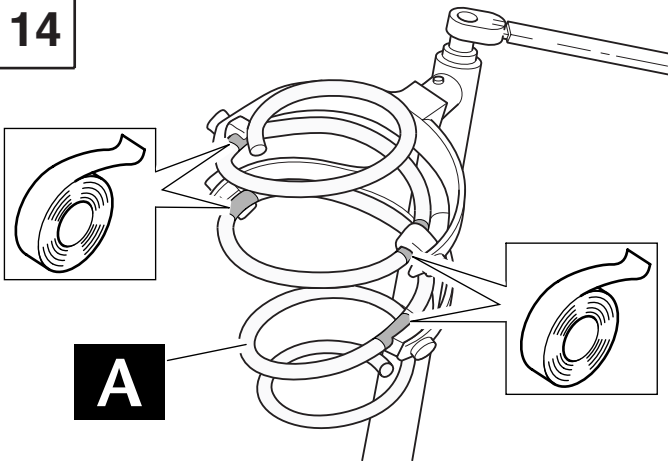
19mm



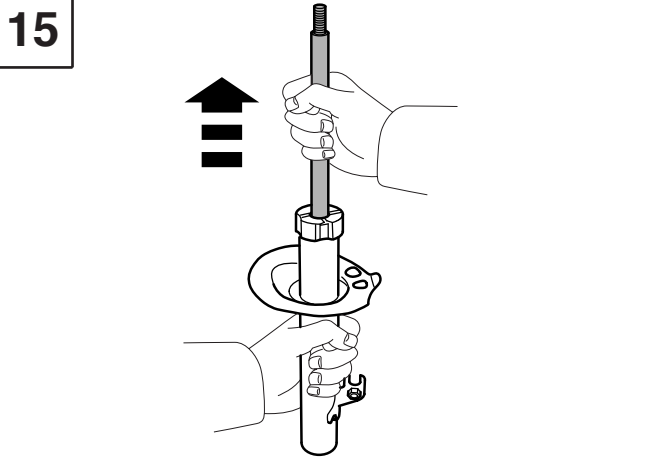
13



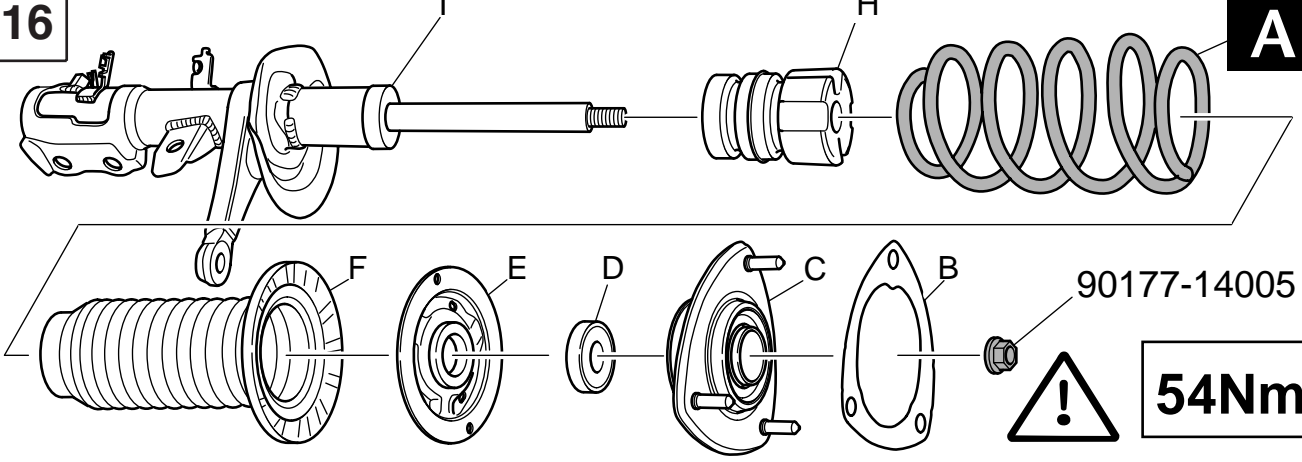
14



15



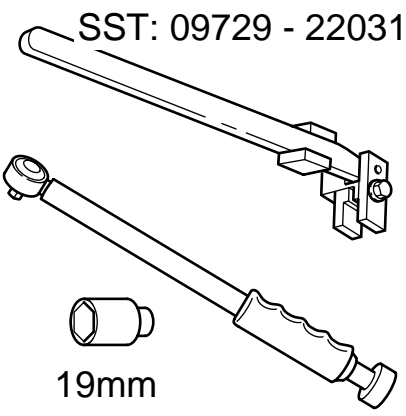
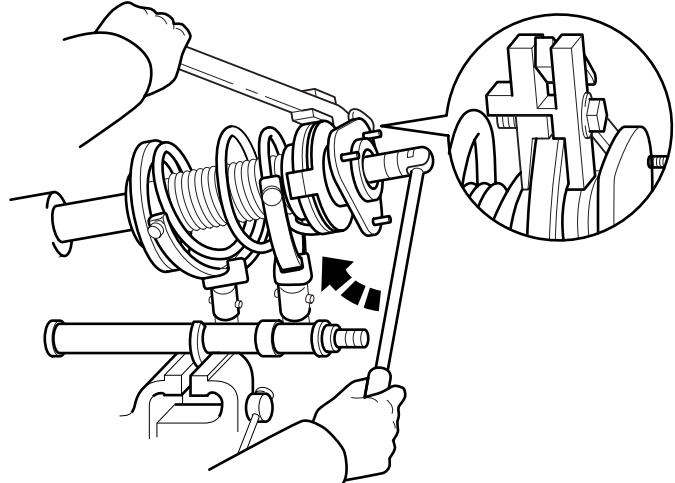
16



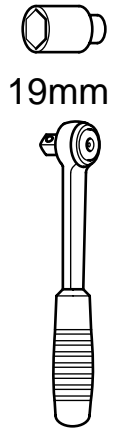
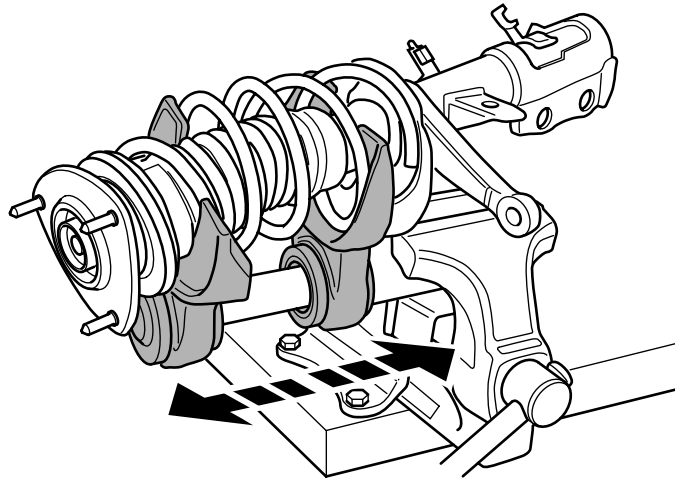
90177-14005

54Nm

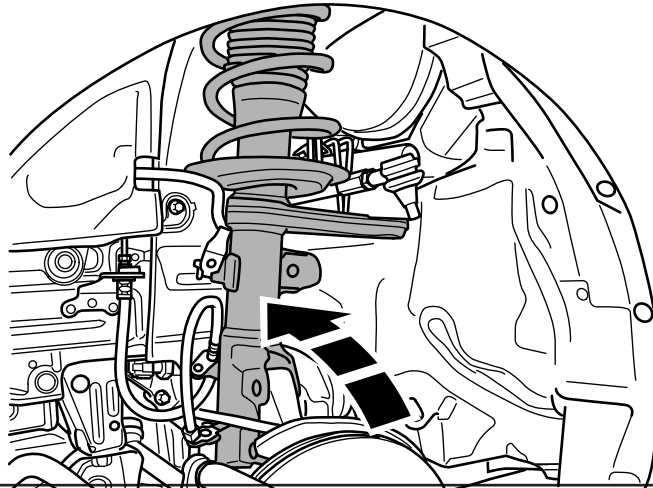
17



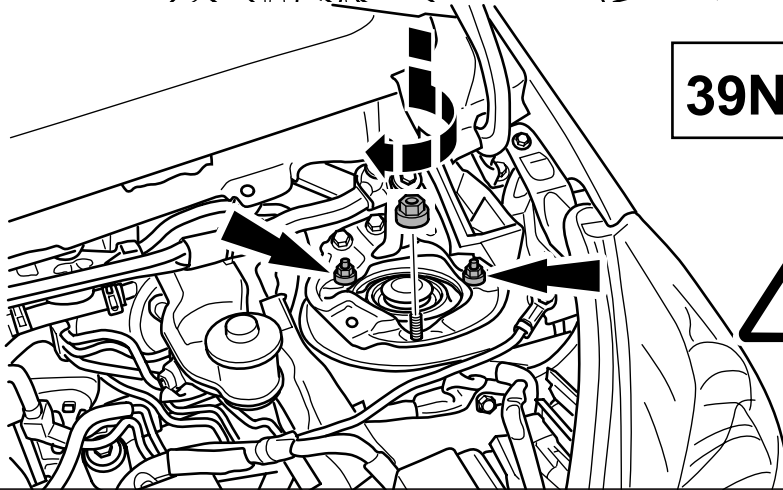
18



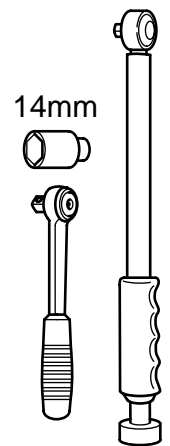
19



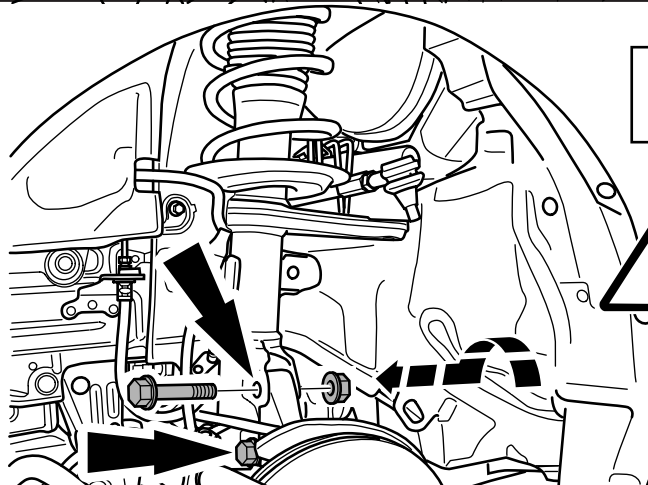
20



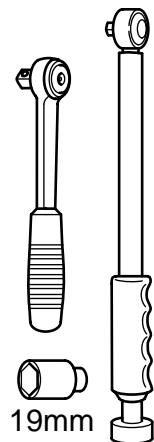
39Nm



21



164Nm



22

29Nm

14mm

23

74Nm

17mm

24

59Nm

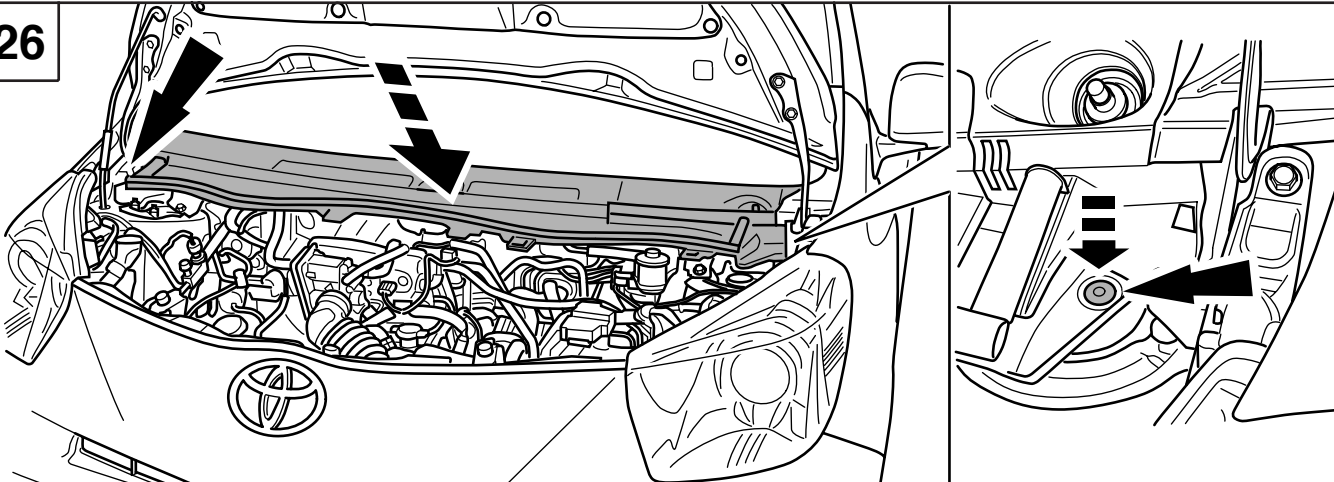
17mm

25

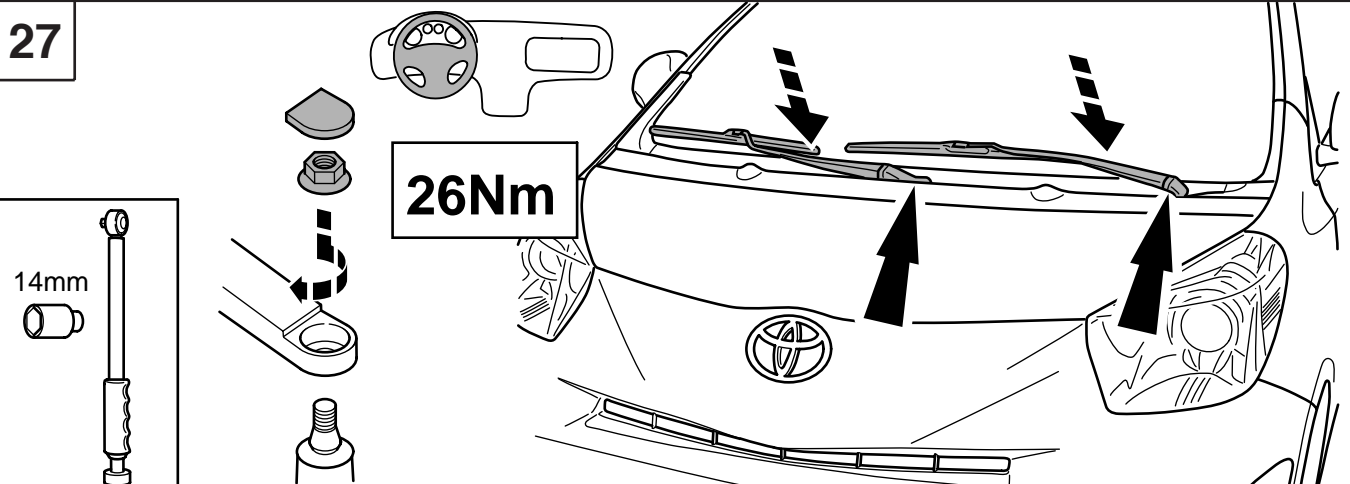
5.5Nm

10mm

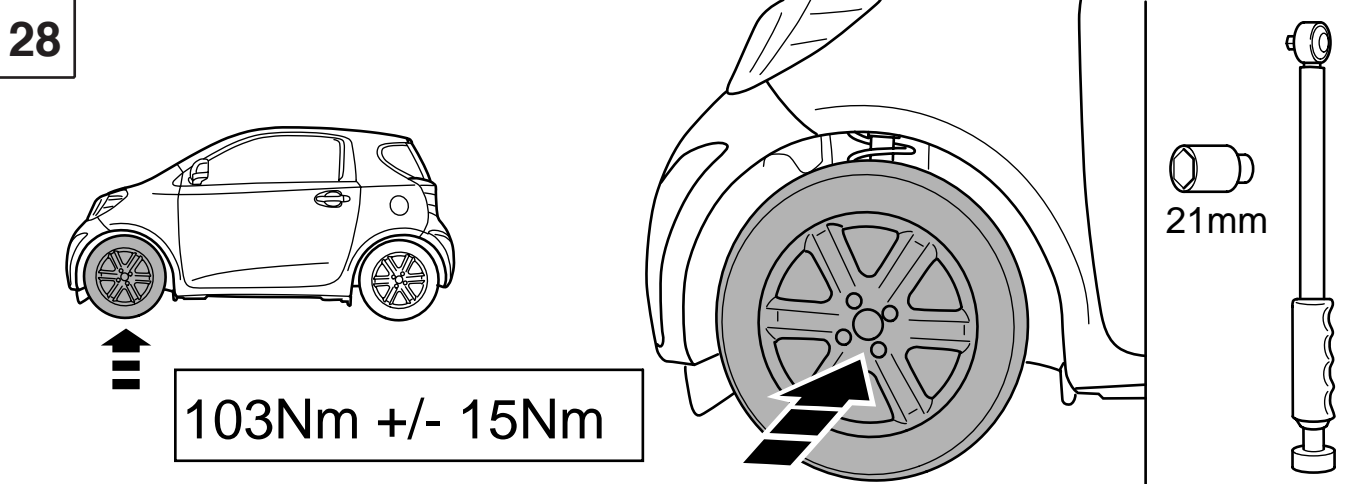
26



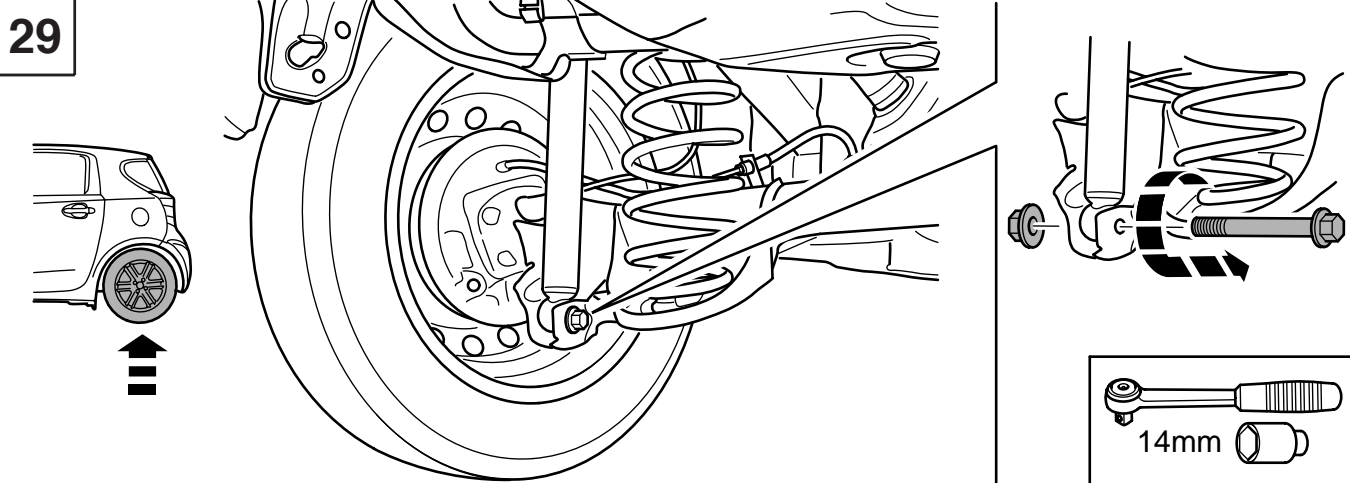
27

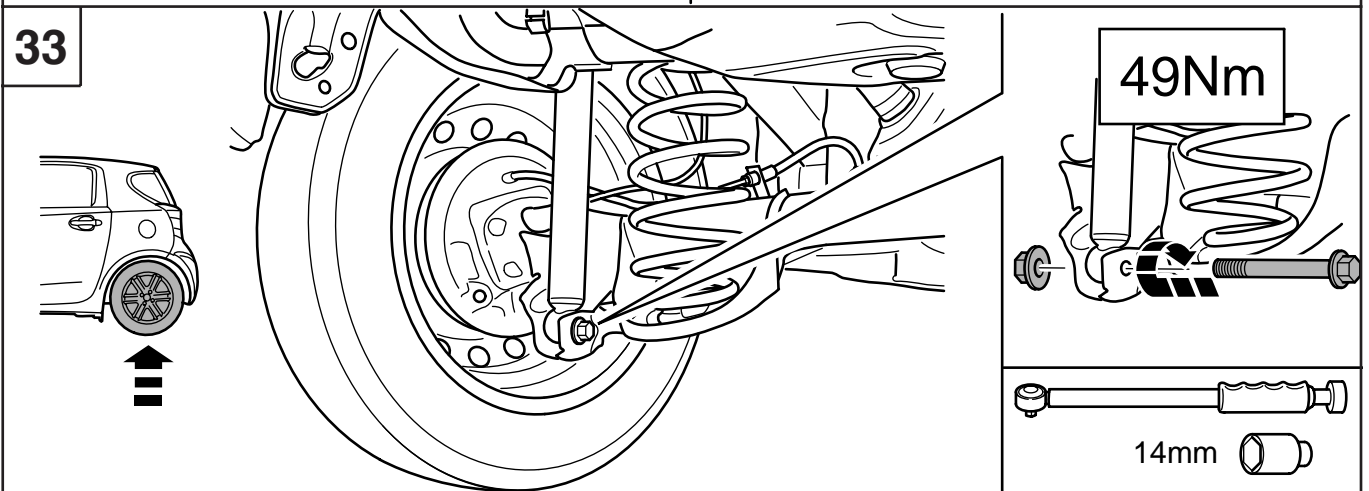
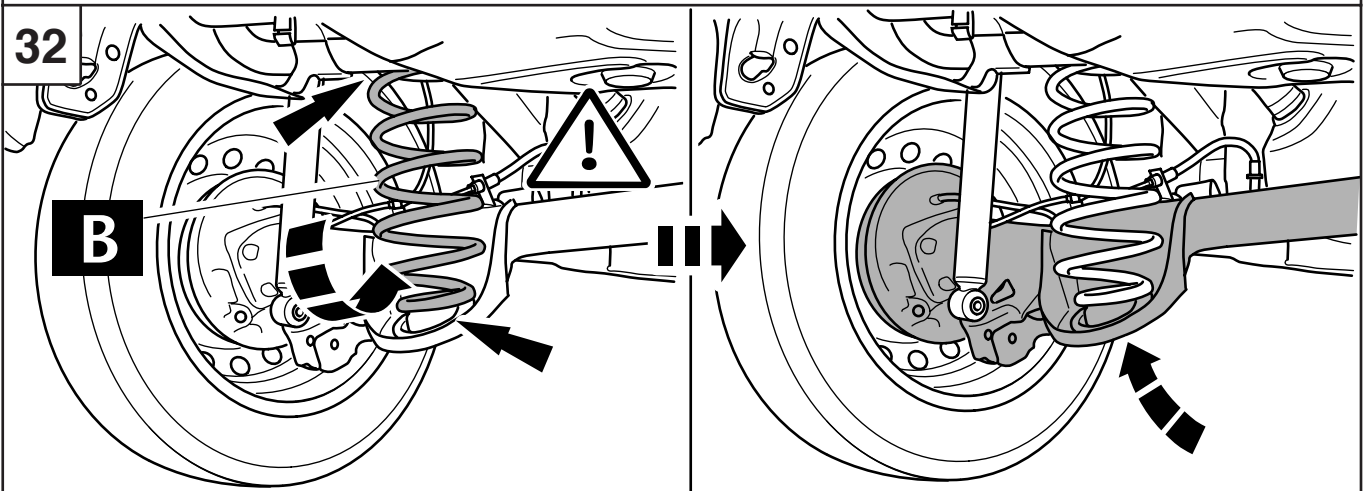
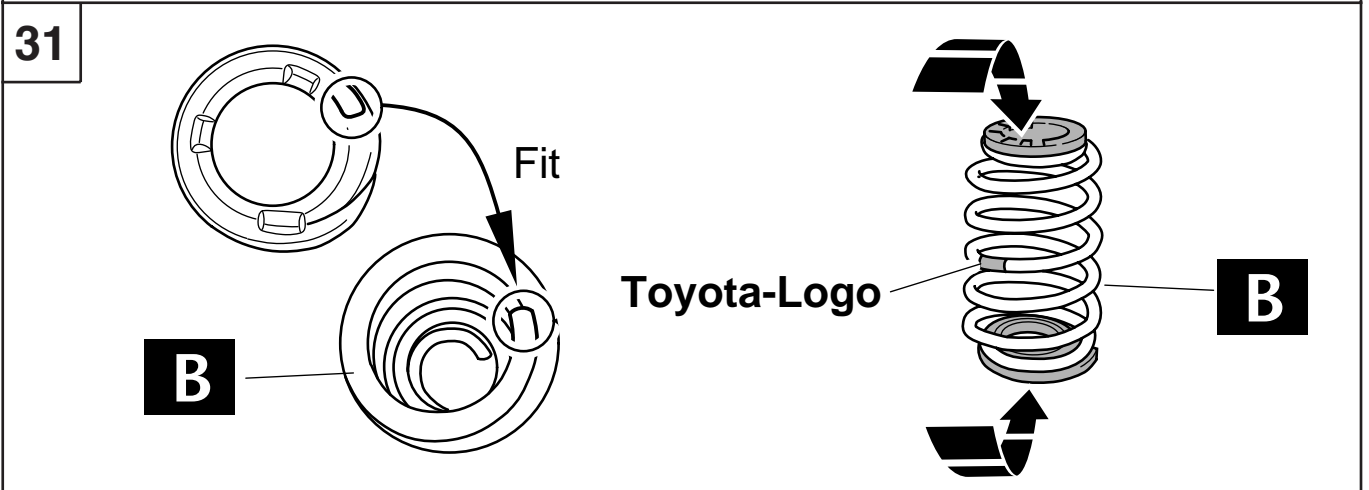
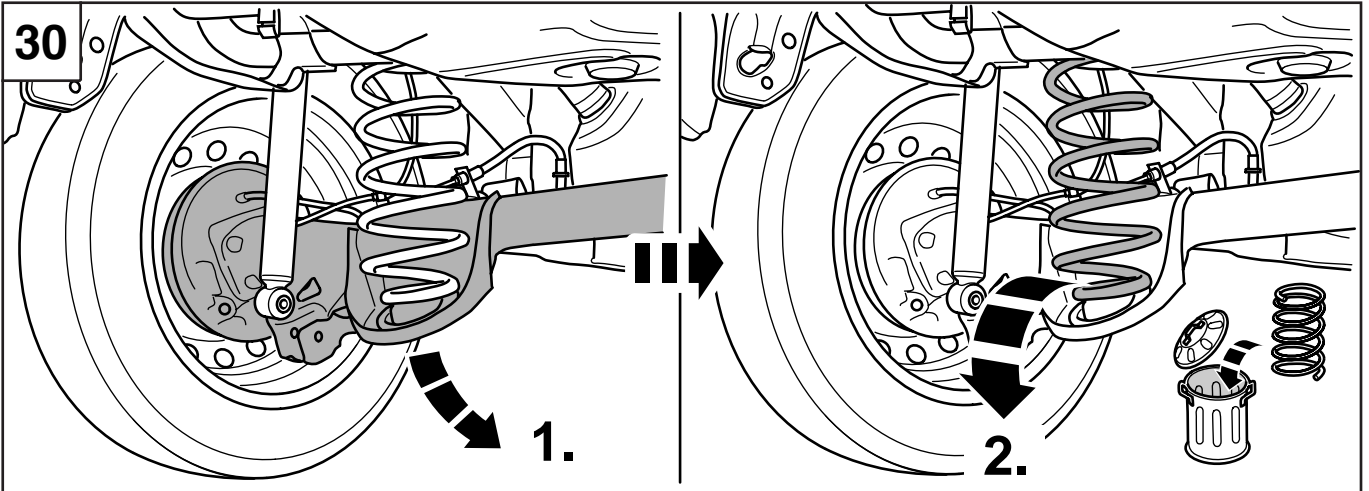


28

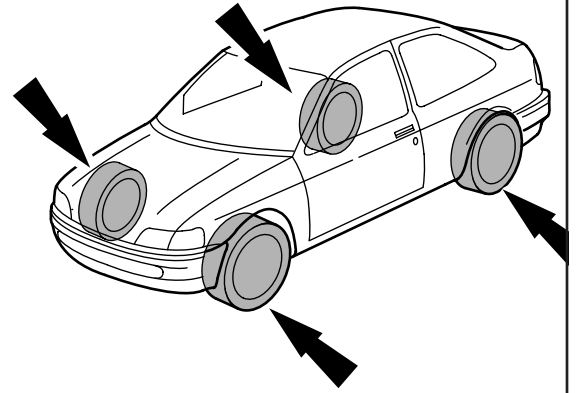
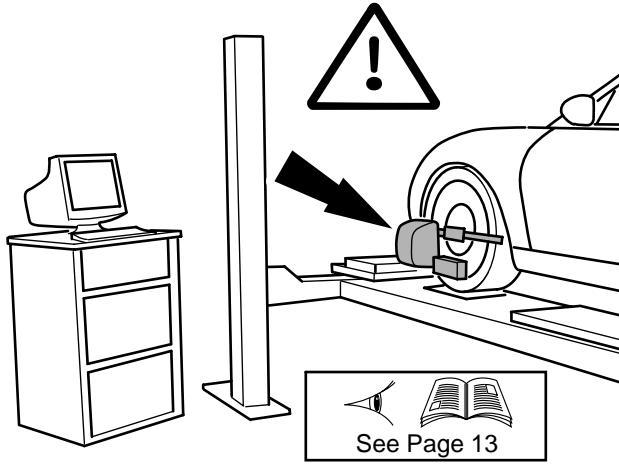


29

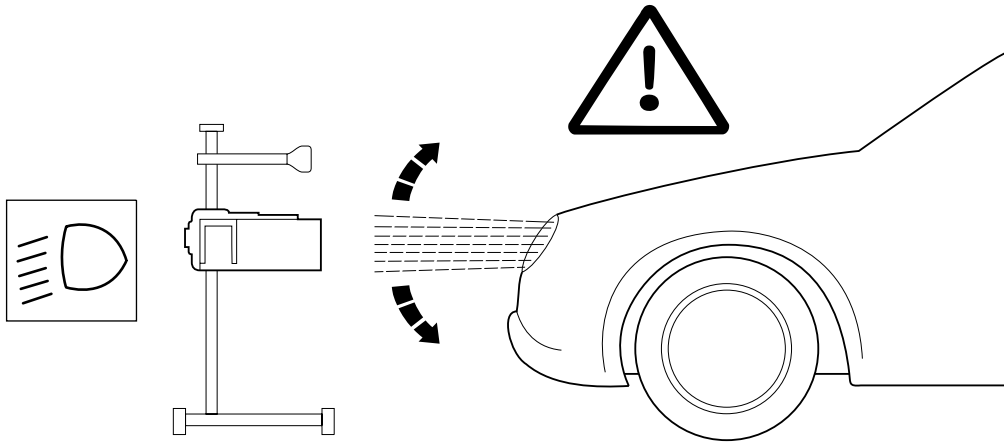






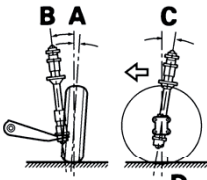
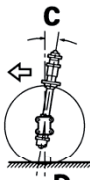
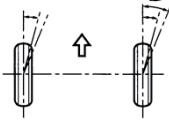
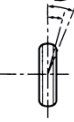
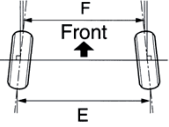
34





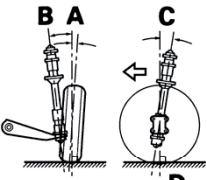
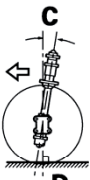
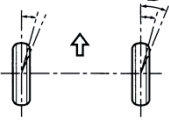
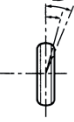
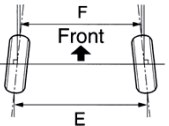
35



PETROL

			
   	A	$-0^{\circ}25' \pm 45'$ <i>$(-0.42^{\circ} \pm 0.75^{\circ})$</i>	$-0^{\circ}52' \pm 30'$ <i>$(-0.87^{\circ} \pm 0.50^{\circ})$</i>
	B (Reference)	$10^{\circ}31'$ <i>(10.52°)</i>	-
	C	$7^{\circ}27' \pm 45'$ <i>$(7.45^{\circ} \pm 0.75^{\circ})$</i>	-
	D	$43^{\circ}34' \pm 2'$ <i>$(43.57^{\circ} \pm 2^{\circ})$</i>	-
	E-F mm (in.)	1.8 ± 3.0 <i>(0.07 ± 0.12)</i>	3.0 ± 3.0 <i>(0.12 ± 0.12)</i>

DIESEL

			
   	A	$-0^{\circ}26' \pm 45'$ <i>$(-0.43^{\circ} \pm 0.75^{\circ})$</i>	$-0^{\circ}52' \pm 30'$ <i>$(-0.93^{\circ} \pm 0.75^{\circ})$</i>
	B (Reference)	$10^{\circ}32'$ <i>(10.53°)</i>	-
	C	$7^{\circ}26' \pm 45'$ <i>$(7.43^{\circ} \pm 0.75^{\circ})$</i>	-
	D	$43^{\circ}32' \pm 2'$ <i>$(43.53^{\circ} \pm 2^{\circ})$</i>	-
	E-F mm (in.)	1.7 ± 3.0 <i>(0.07 ± 0.12)</i>	3.0 ± 3.0 <i>(0.12 ± 0.12)</i>