



# All Models

Pin Removal Tools

Installation Instructions

Part number: PZ415-0JGB9-00  
SST 09991-00500  
SST 09992-01030

Terminal type (1.0III; 1.5, 2.3II)

Terminal type (064I, 064II, 064III)

**Latest Version  
SCAN HERE**



Manual reference number: AIM 006 006-6

**THINK BEFORE YOU PRINT**



**ONLINE = LATEST VERSION  
GO DIGITAL!**

## Revision Record

Rev. No.	Date	Page	Step	Remarks
1	23.07.20	1, 4, 7	6	P/N change of tool PZ415-0JGB0-4K to PZ415-0JGB9-00
2	20.08.20	All		TGS Tools added
3	01.10.20	4		Tool added
3	01.10.20	7, 9, 11	6, 11, 16	Check updated
4	23.03.22	1		QR added
5	06.10.23	All		Updated to latest standards
6	20.08.24	3		P/N changed from PZ415-0JGB9 to PZ415-0JGB9-00



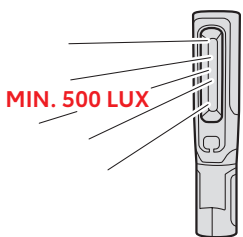
PIN SIZE, TYPE	TGS TOOL	SST TOOL
0.64 I	F812	09992-01030
0.64 II	F812	09992-01030
0.64 III	F812	09992-01030
1.0 III	F595	PZ415-0JGB9-00
1.5	F595	PZ415-0JGB9-00
2.3 II	F595	PZ415-0JGB9-00
FUSE (OTHER)	F415	TBC
RELAY (OTHER)	TBC	TBC

TGS TOOL



[https://toyota.store-oem.com/cables.html?no\\_cache=1&p=2](https://toyota.store-oem.com/cables.html?no_cache=1&p=2)

**TOOLS**



**USEFUL GENERAL MANUALS**

**DISCLAIMER**



Latest Version  
SCAN HERE



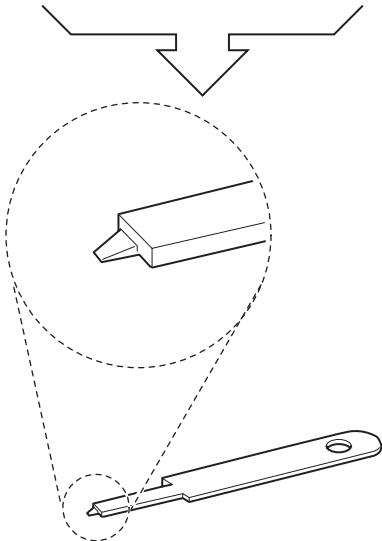
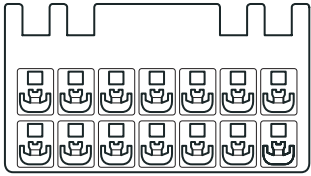
**SYMBOLS**



Latest Version  
SCAN HERE

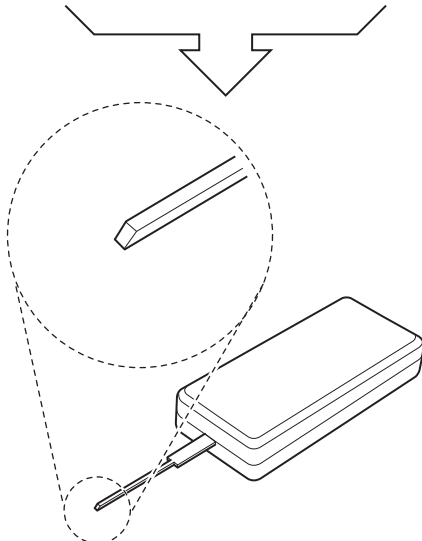
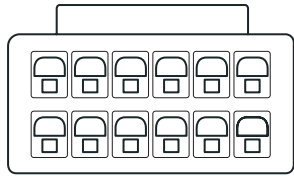


**TYPE A:  
EXAMPLE**



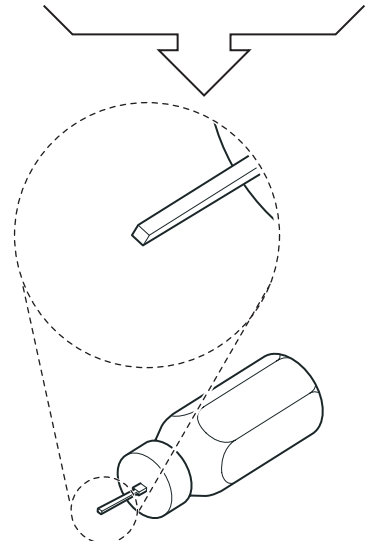
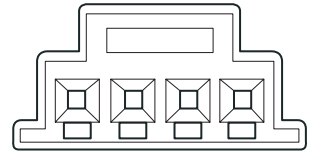
**SST 09992-01030**

**TYPE B:  
EXAMPLE**

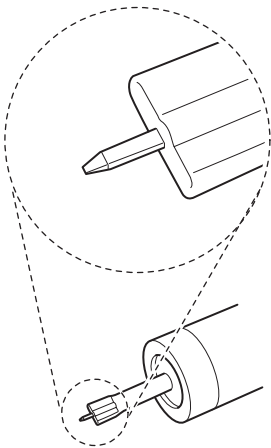


**PZ415-0JGB9-00**

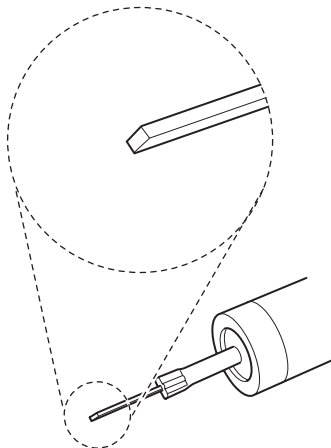
**TYPE C:  
EXAMPLE**



**SST 09991-00500**



**F812**



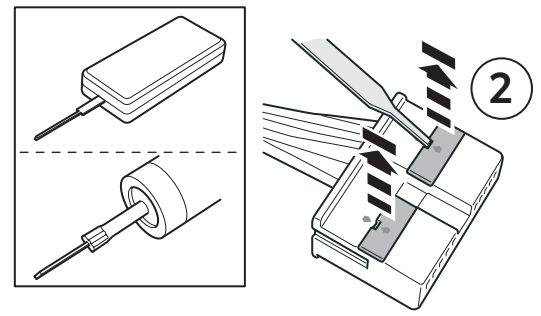
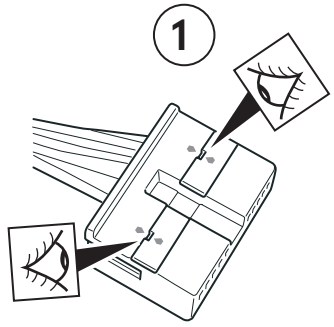
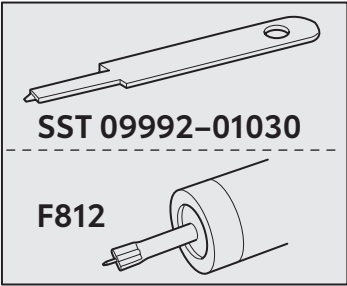
**F595**



**TBC**



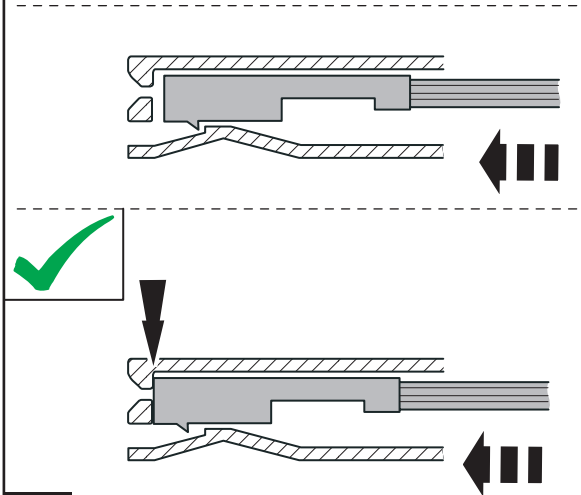
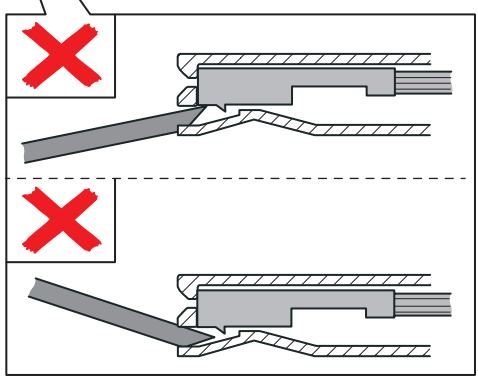
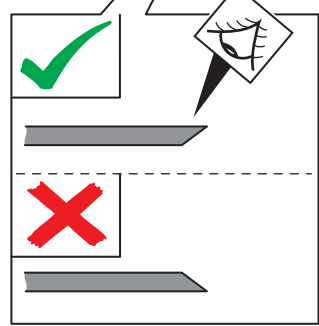
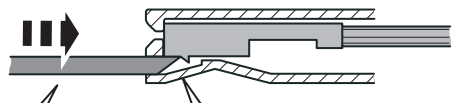
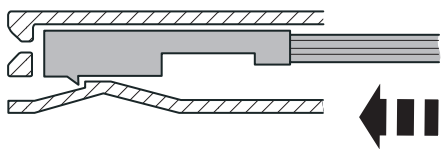
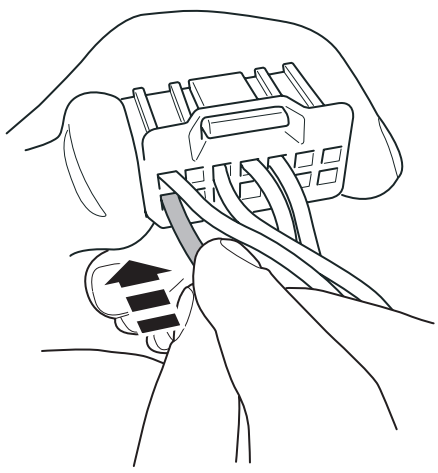
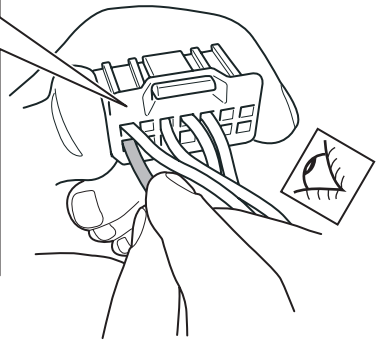
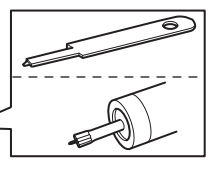
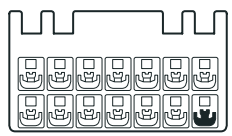
2



1

2

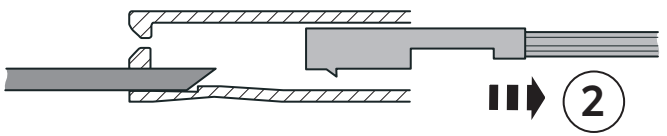
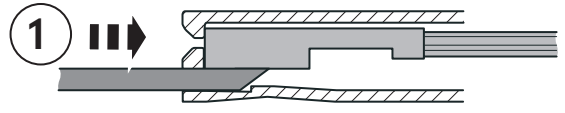
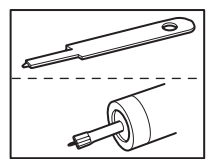
TYPE A: EXAMPLE



2

3

2

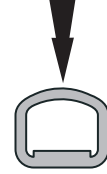
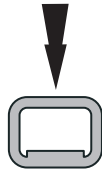


4

# CHECK



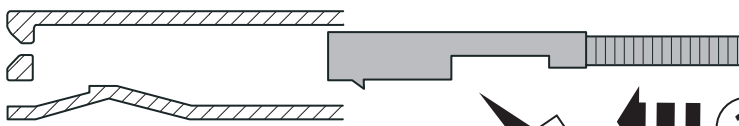
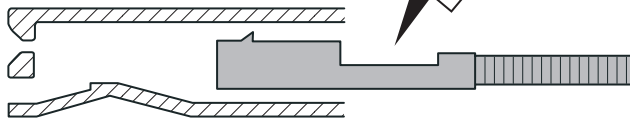
2



5



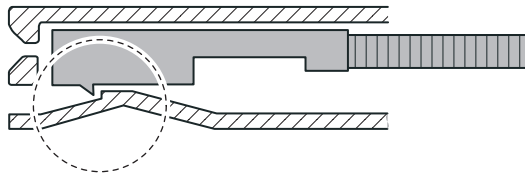
1



2

Click

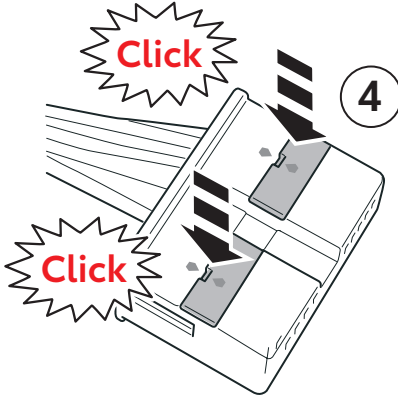
3



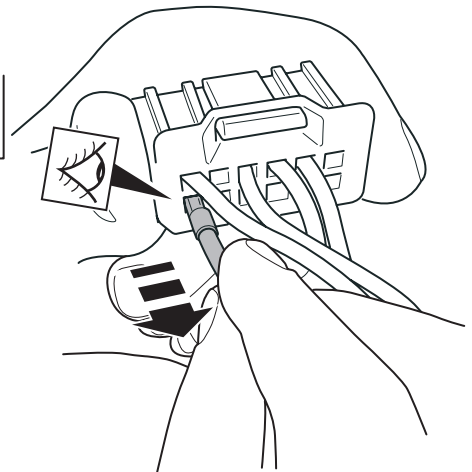
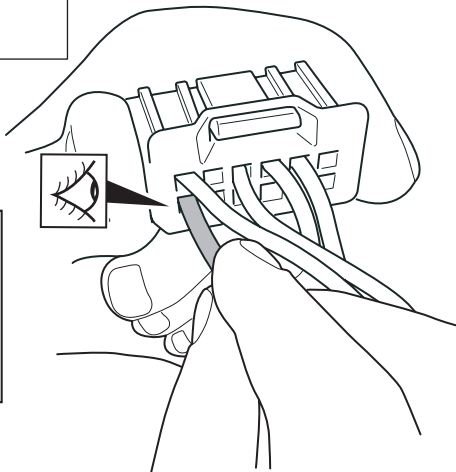
Click

4

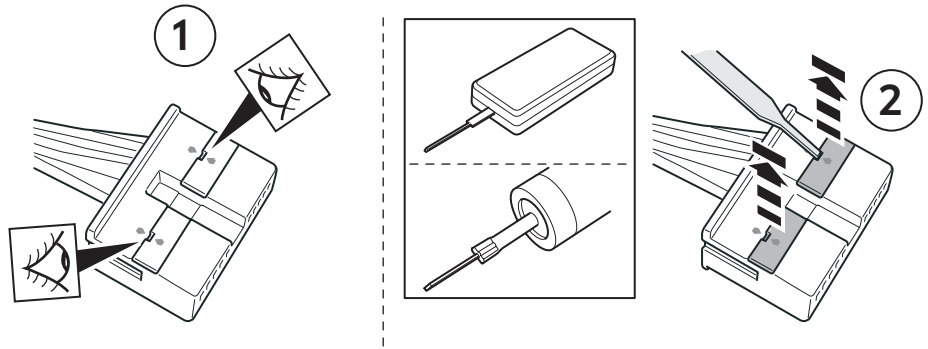
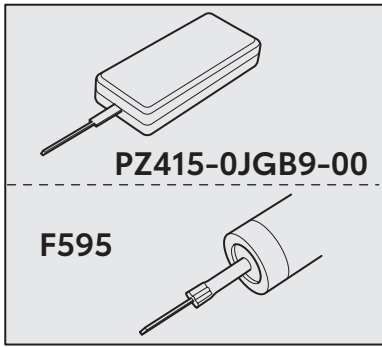
Click



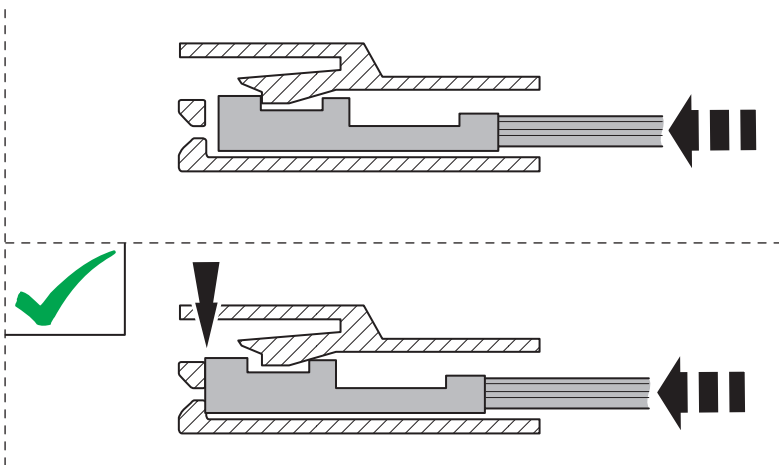
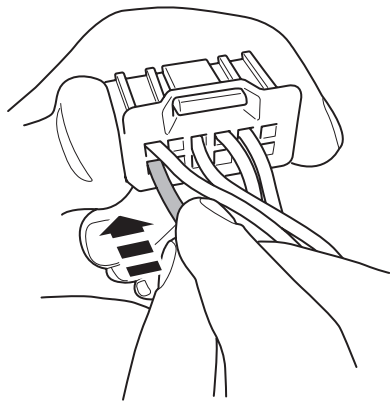
# CHECK



6

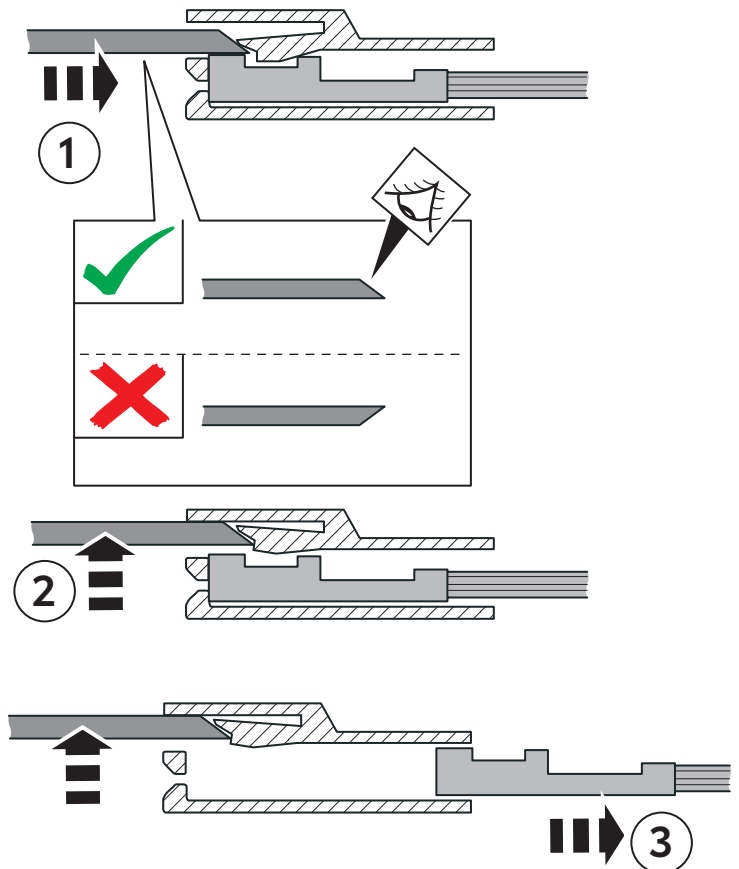
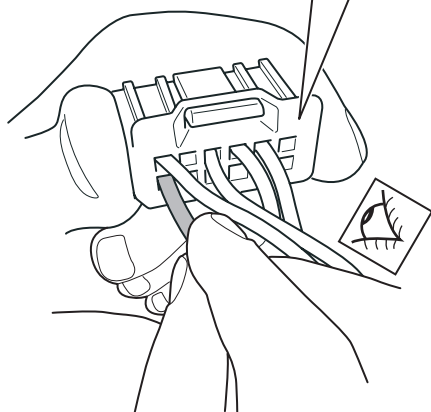
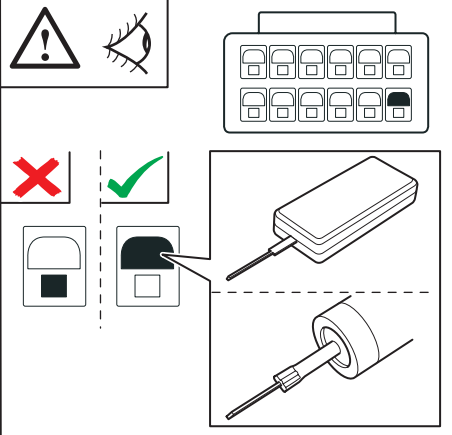


7



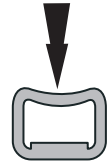
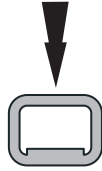
8

TYPE B: EXAMPLE



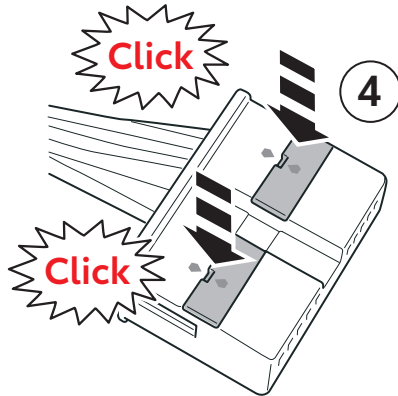
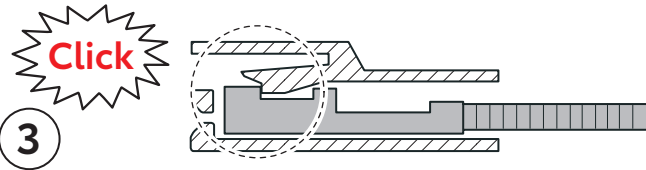
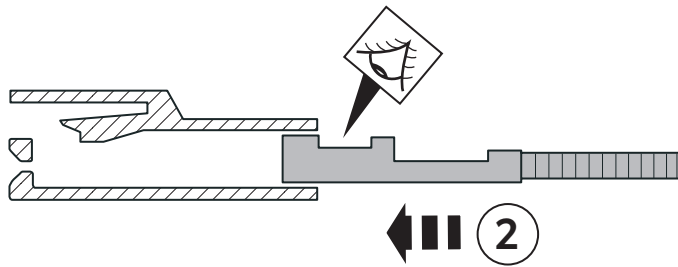
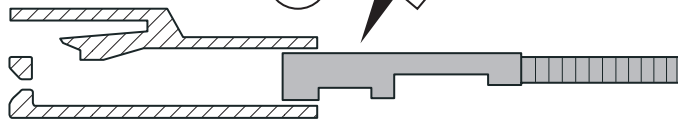
9

# CHECK



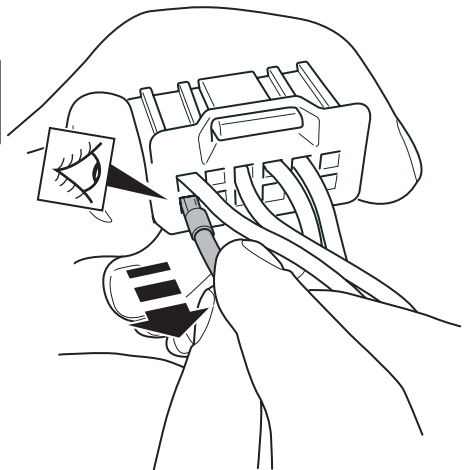
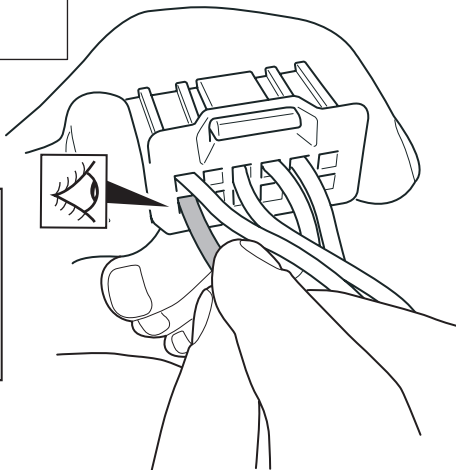
2

10



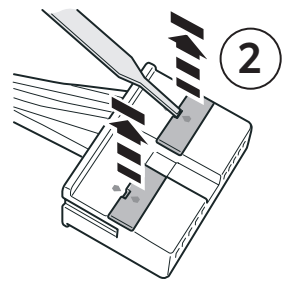
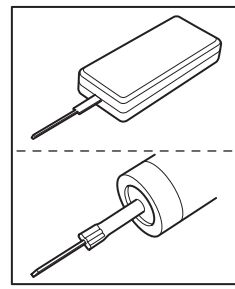
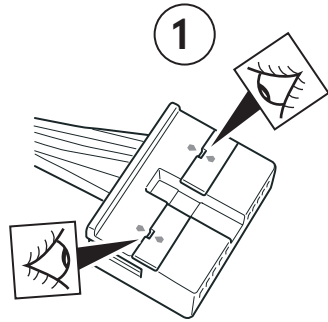
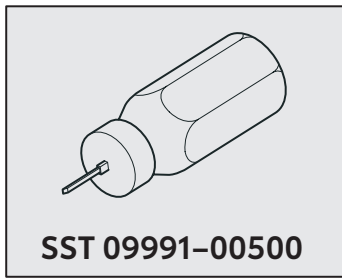
3

# CHECK

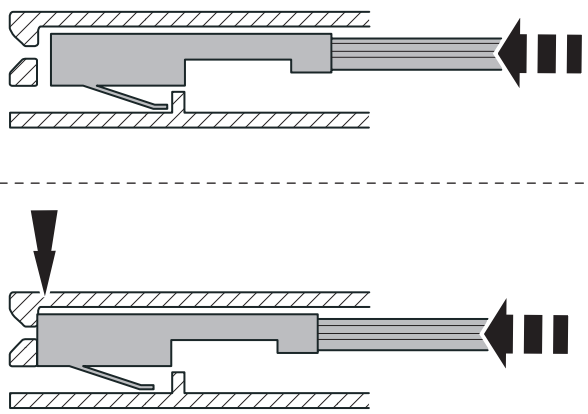
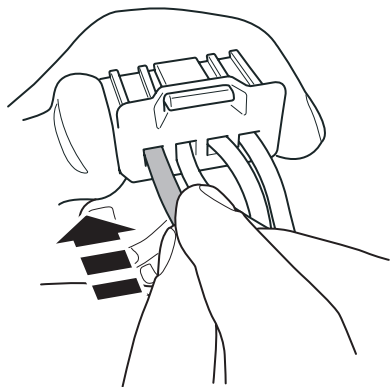


11



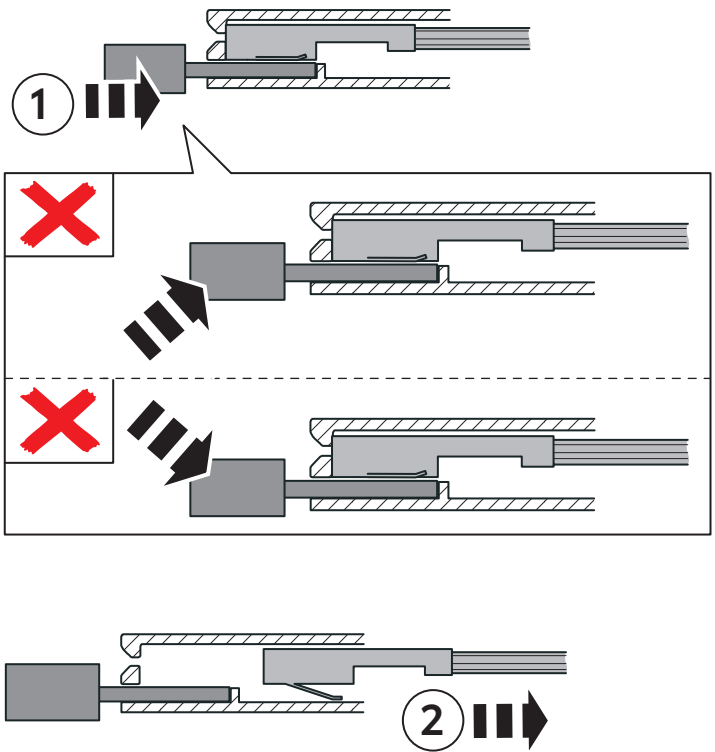
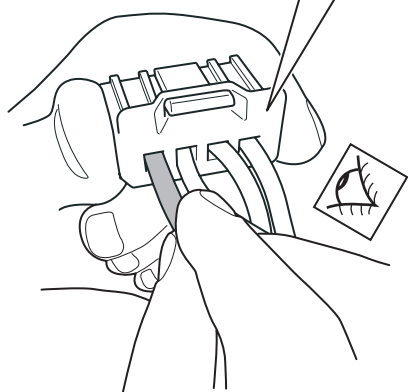


12



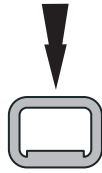
13

**TYPE C: EXAMPLE**



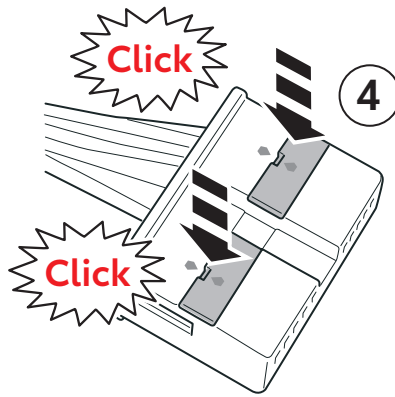
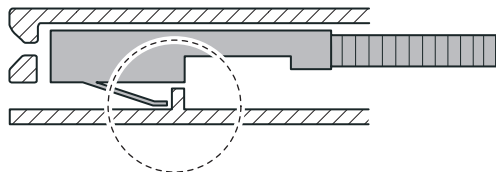
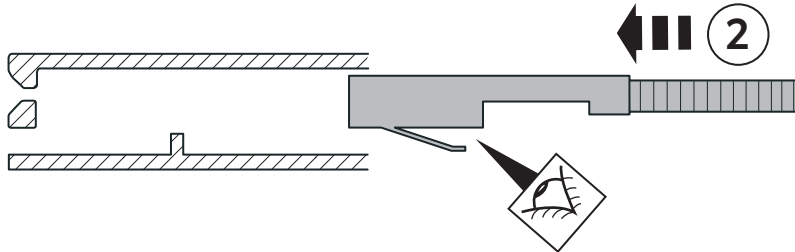
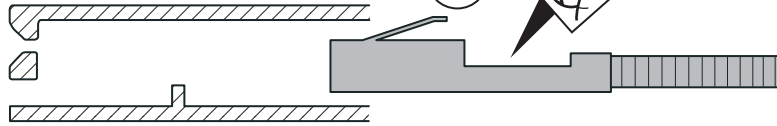
14

# CHECK



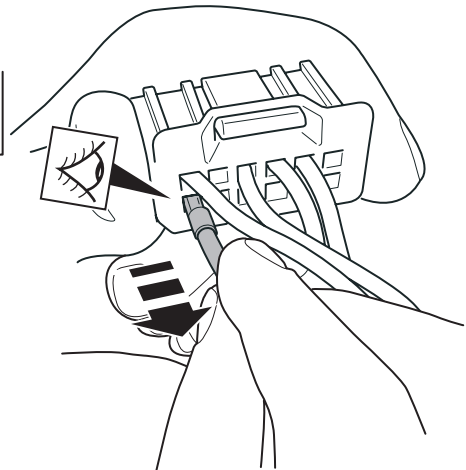
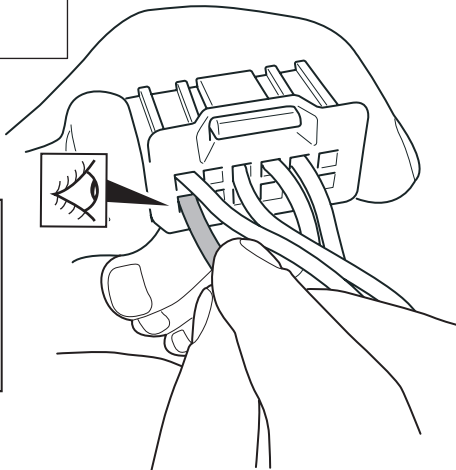
2

15



3

# CHECK



16