

Toyota C-HR

Vertical Cargo Net

Installation Instructions

Model year: as from 2023/10
Vehicle code: ZYX20L-AHX*BW
Part number: PW250-10000
Manual reference number: AIM 005 228-0

Latest Version
SCAN HERE



THINK BEFORE YOU PRINT



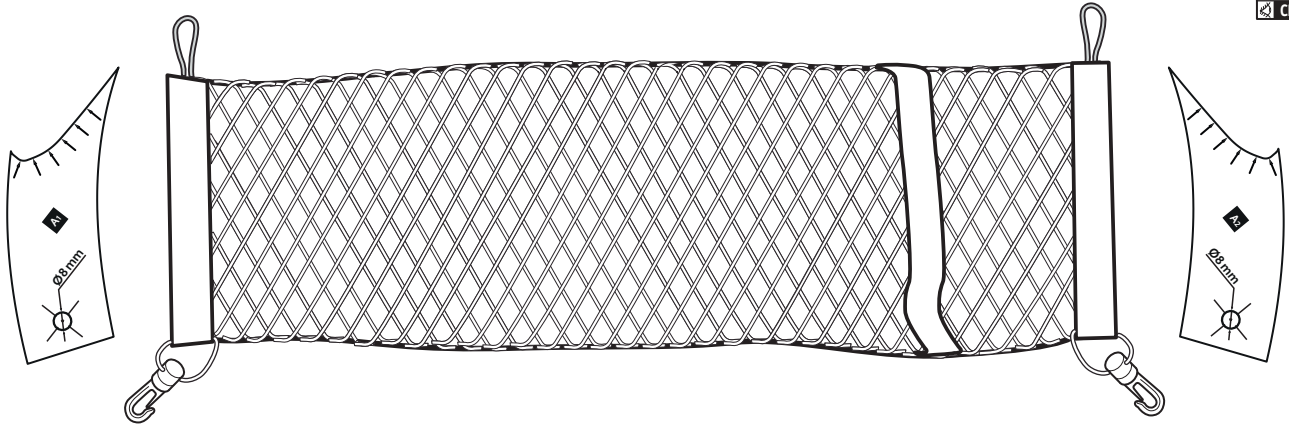
**ONLINE = LATEST VERSION
GO DIGITAL!**

Revision Record

Rev. No.	Date	Page	Step	Remarks

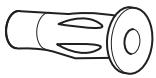
KIT CONTENT

PW250-10000



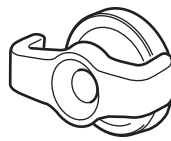
A

1x



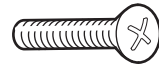
B

2x




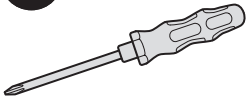
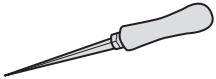

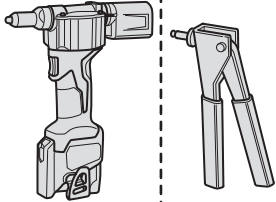

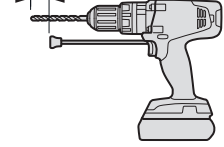



C

2x

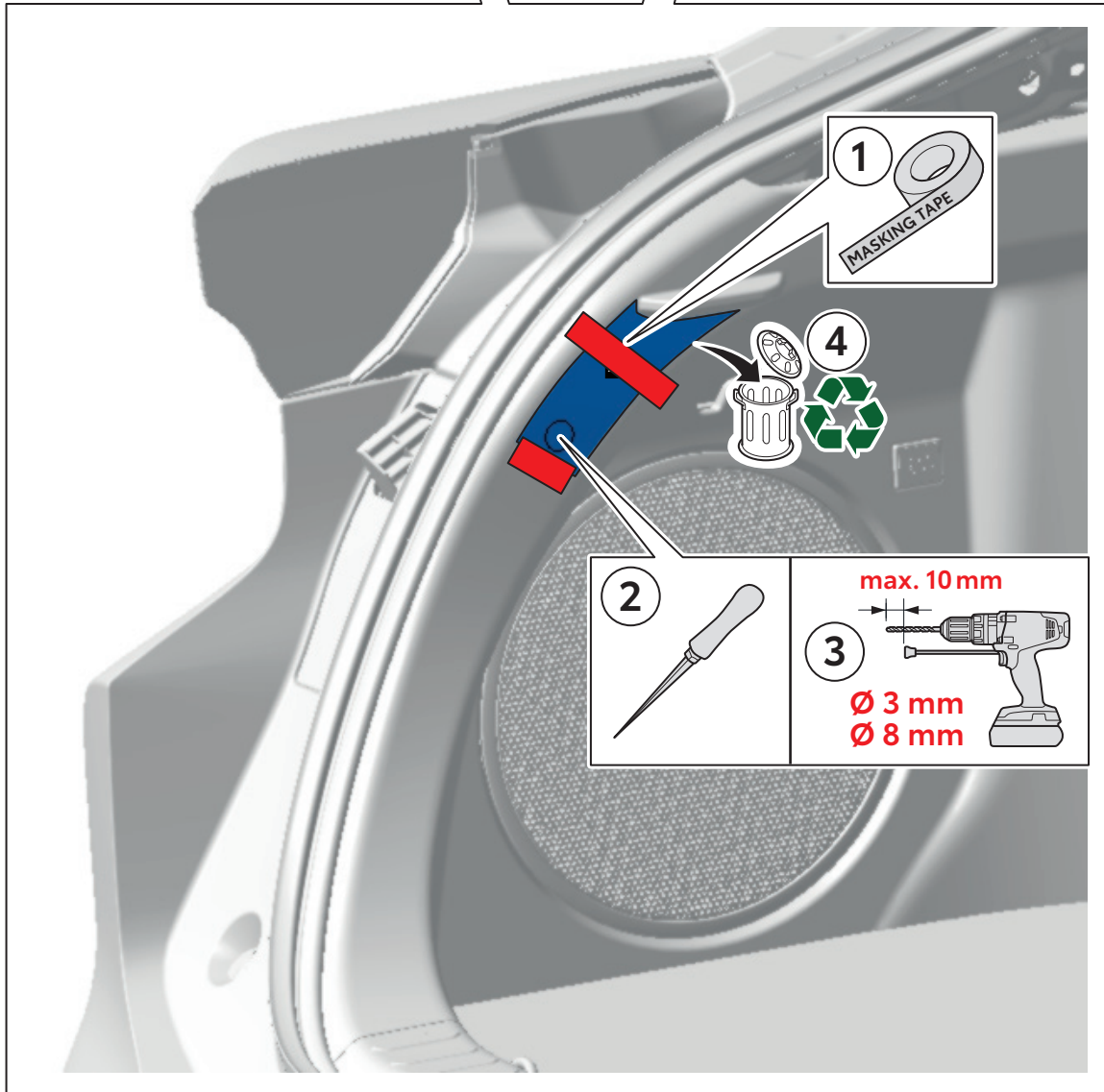
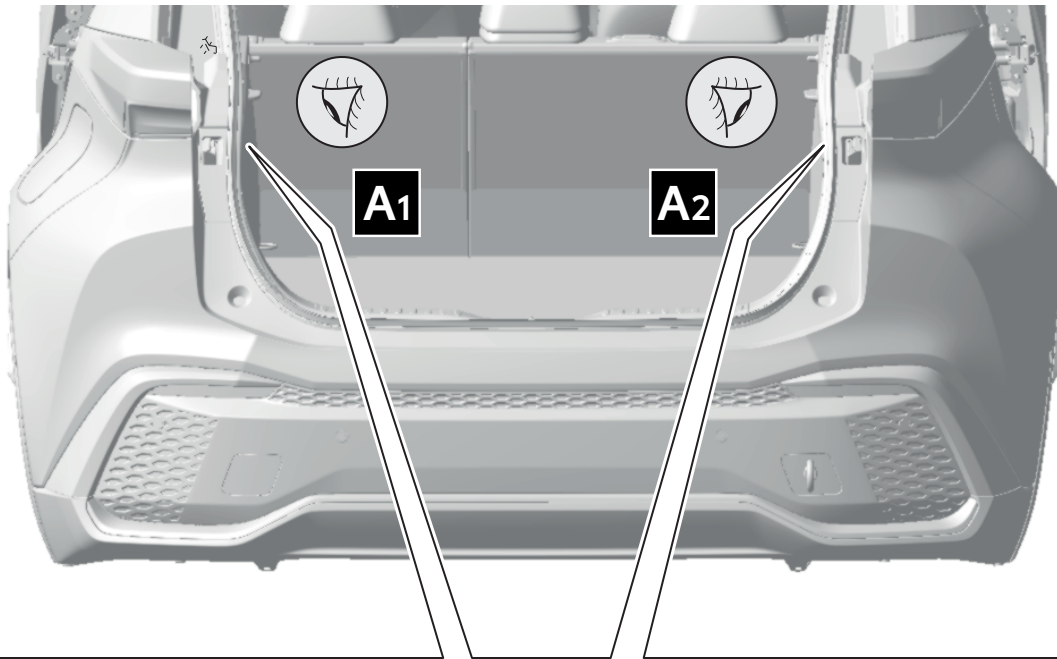


D

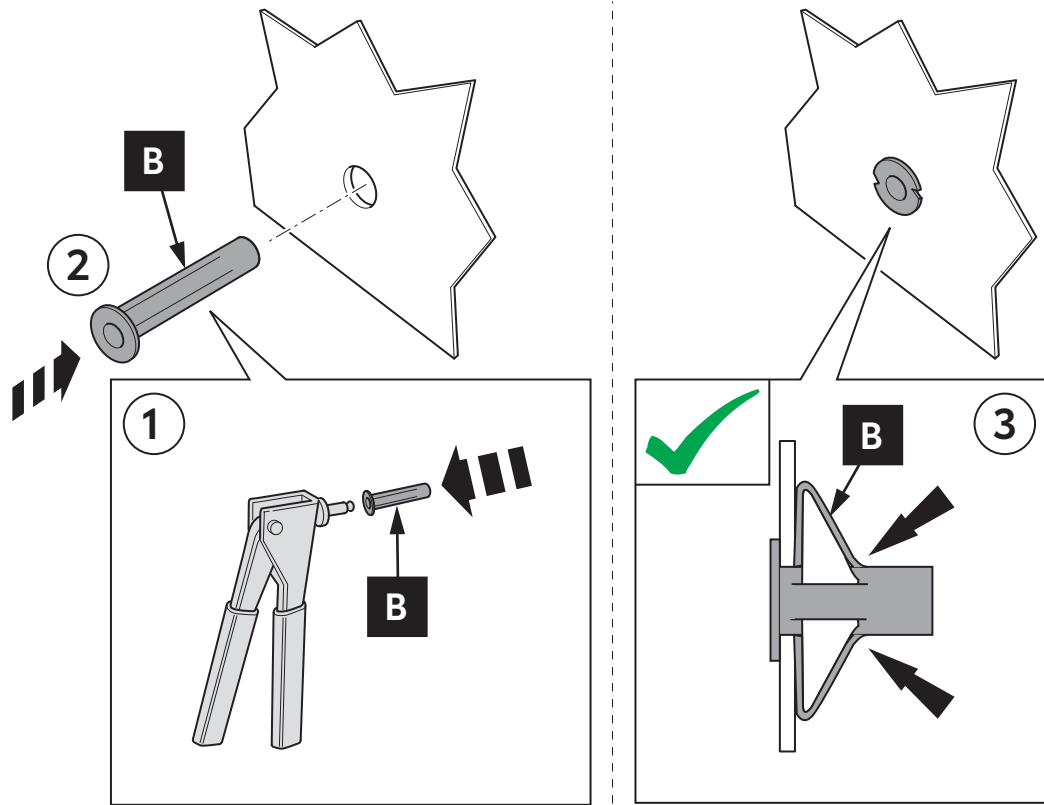
2x

TOOLS				
 				COBALT DRILL BIT  Ø 3 mm Ø 8 mm
max. 10 mm 				
CONSUMABLES				
MASKING TAPE 				
USEFUL GENERAL MANUALS				
SYMBOLS Latest Version SCAN HERE 				

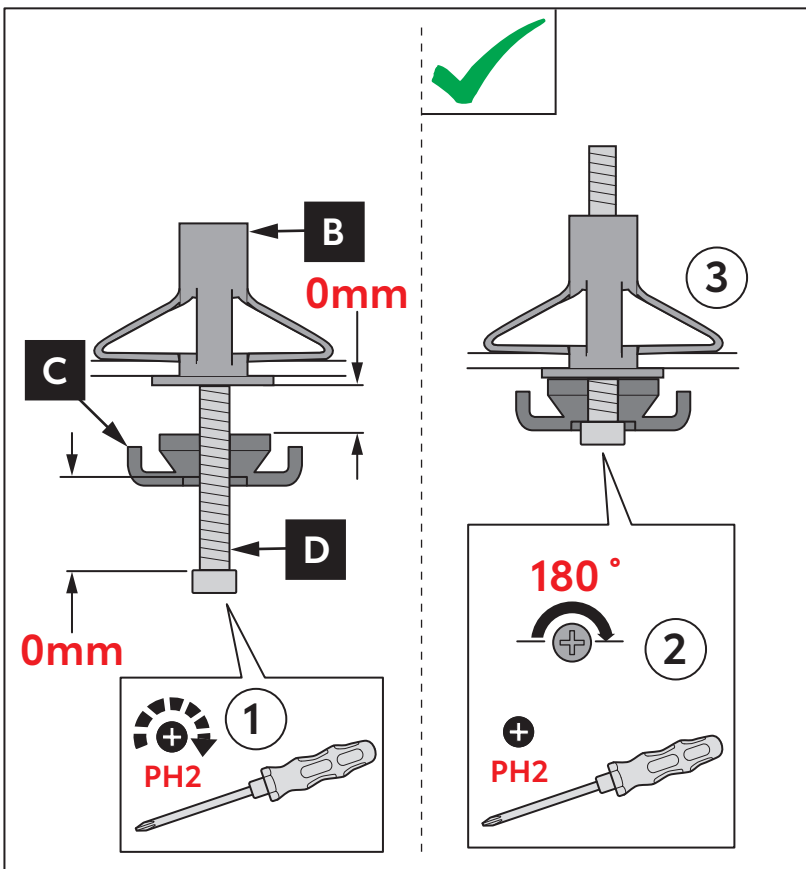
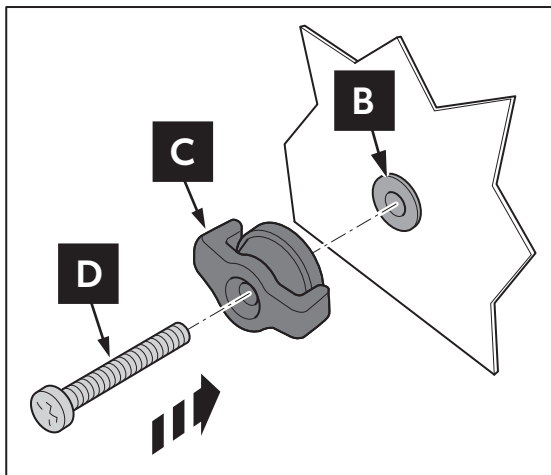
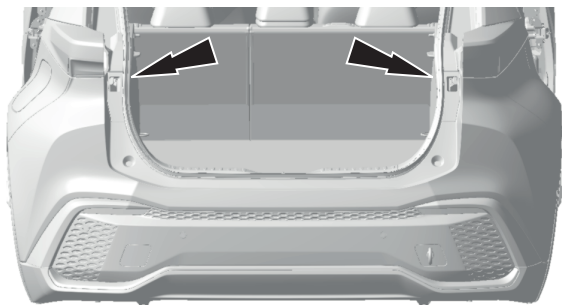
INSTALLATION INSTRUCTIONS



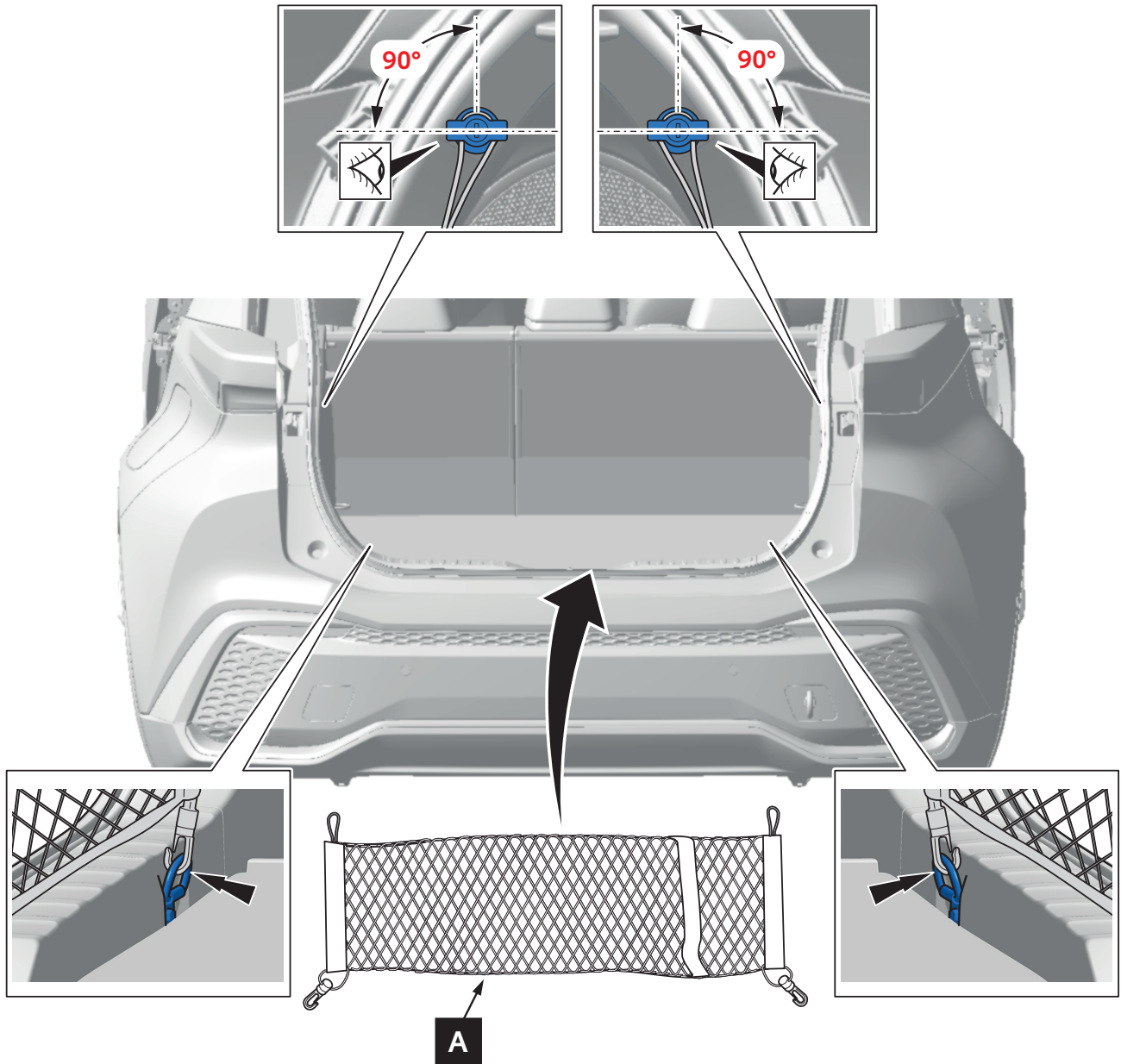
1



2

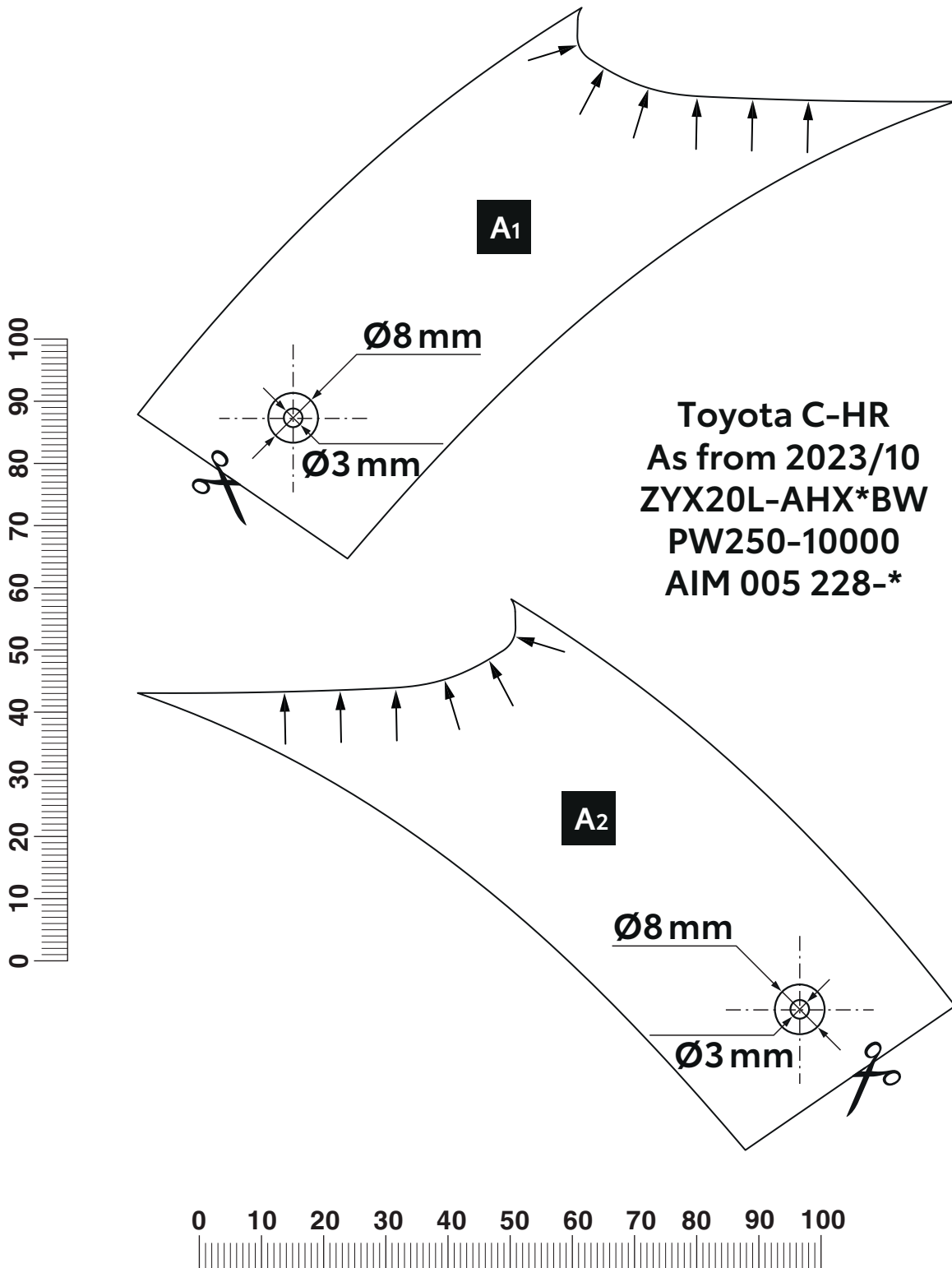


3

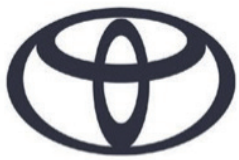




**Print 100%
Check with Rulers
before use.**



**Toyota C-HR
As from 2023/10
ZYX20L-AHX*BW
PW250-10000
AIM 005 228-***



CHECK SHEET

Page 1 of 1

Model/Year **Toyota C-HR**
as from 2023/10

Vertical Cargo Net

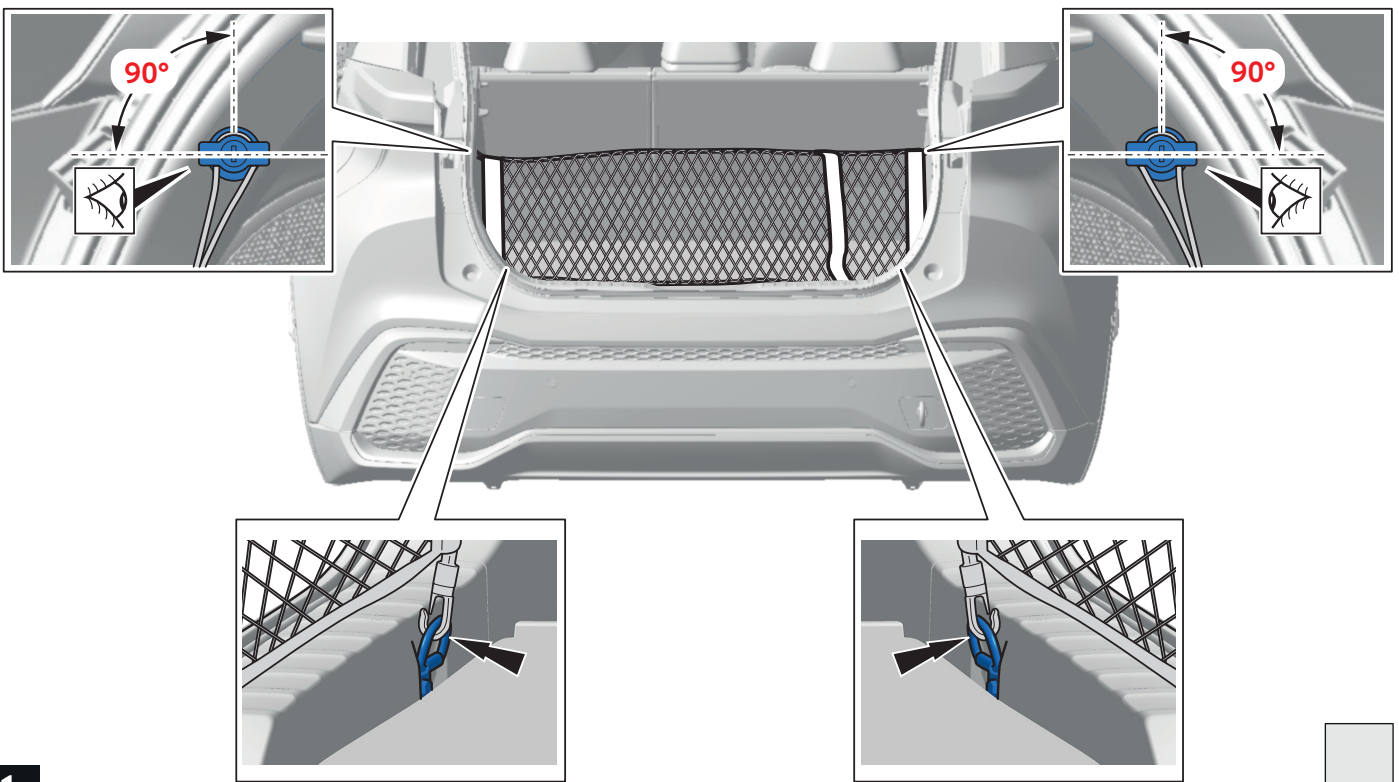
VINn°

DURING INSTALLATION

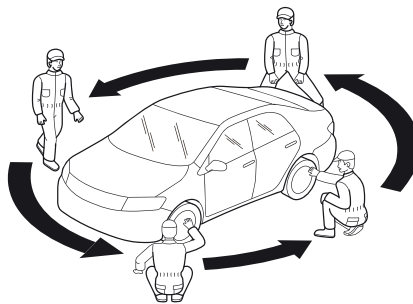


1

AFTER INSTALLATION



1



2

Installation Date:
.. / .. /

Technician Name & Signature:

Stamp: